

QUICK-VIEW® - Valve Position Indicator/Switch

FEATURES

The QUICK-VIEW® (QV Series) Rotary Valve Position Indicators are produced by Proximity with up to four individual mechanical or proximity switches. The QUICK-VIEW® is also available with optional backlighting.

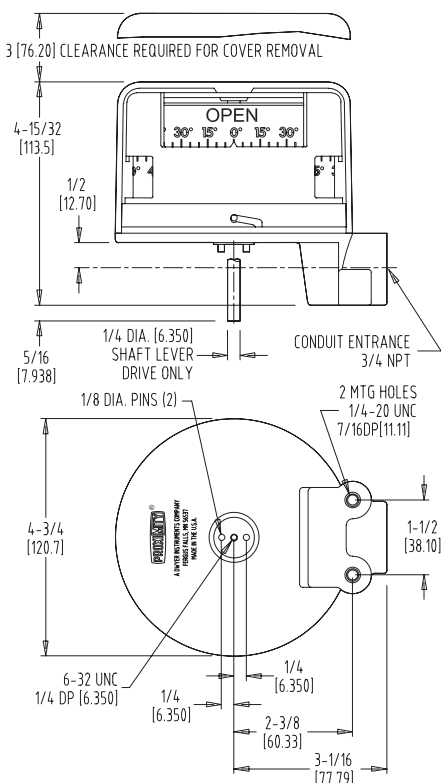
- Low cost position indication
- Extremely compact design
- Easily interchangeable with all competition
- Integral flame retardant and corrosion protection
- Optional backlighting available for maximum visibility
- Optional hazardous location rating



APPLICATIONS

The QV Series position indicators are designed for maximum reliability in general purpose and corrosive environments. Applications include:

- Rotary and Linear Valves and Actuators
- Manual Valves
- Gear Operators
- Positioners



Specifications

| | |
|---|--|
| Minimum Rotation Travel – Switches only: | 5° |
| Maximum Rotation Travel – Switches only: | 360° |
| Operational Life: | 10,000,000 Cycles Minimum |
| Temperature Limits: | -40 to 180°F (-40 to 82°C) |
| Switch Type: | SPDT |
| Weight: | 1.0 lb |
| Mounting Orientation: | Not position sensitive |
| Electrical SPDT Switch Ratings: | |
| Mech. (snap action): | 10A @ 125/250 VAC; 0.5A 125 VDC; 10A @ 24 VDC (standard) |
| Mech. (gold contact): | 1A @ 125 VAC; 1A @ 24 VDC |
| Prox. (reed switch): | 2A @ 125 VAC; 2A @ 30 VDC |
| NAMUR Sensor: | 5-25 VDC |
| Inductive Sensor: | 10-30 VDC |
| Mech. (snap action): | 10A 125/250 VAC |
| Lighting Supply Voltage: | 24-28 VDC |
| Lighting Life: | 16,000 Hours |
| Enclosure Material: | Polycarbonate Housing and Conduit |
| Conduit Entrance: | One 3/4 1/2 NPT |
| Enclosure Rating: | NEMA 4, 4X |
| Optional explosion-proof, rated: Class I, Groups A, B, C, D; Class II, Groups F & G; Div. 2 | |



