

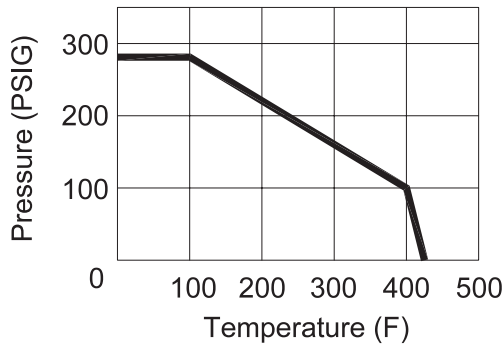
# Figure 633 (L-Port) Figure 634 (T-Port) STAINLESS STEEL BALL VALVES



## 3-WAY FULL PORT 150# FLANGED

### Features:

- ANSI B16.5 150# Flanges
- Full Port
- Fig 633 (L-Port 90° flow path)
- Fig 634 (T-Port 90° and 180° flow path)
- Multiple Piece Adjustable Stem Packing
- Single Piece Ball and Stem
- Trunnion Mount Ball Design
- Top Entry Body Design
- 4 Bolt Actuator Mounting Pad



### Figure Number Matrix

FNW 6 3 FLOW X		
FLOW TYPE	SIZE CODES	
3 = L-PORT CONFIGURATION	2 = K	6 = U
4 = T-PORT CONFIGURATION	2-1/2 = L	8 = X
For other valve materials or configurations, contact FNW Valve at (503) 287-8383 for sales assistance.	3 = M	10 = 10
	4 = P	

### Torque

Size	Torque (in-lbs)
2	800
2-1/2	1,200
3	1,800
4	3,100
6	10,000
8	18,000
10	26,000

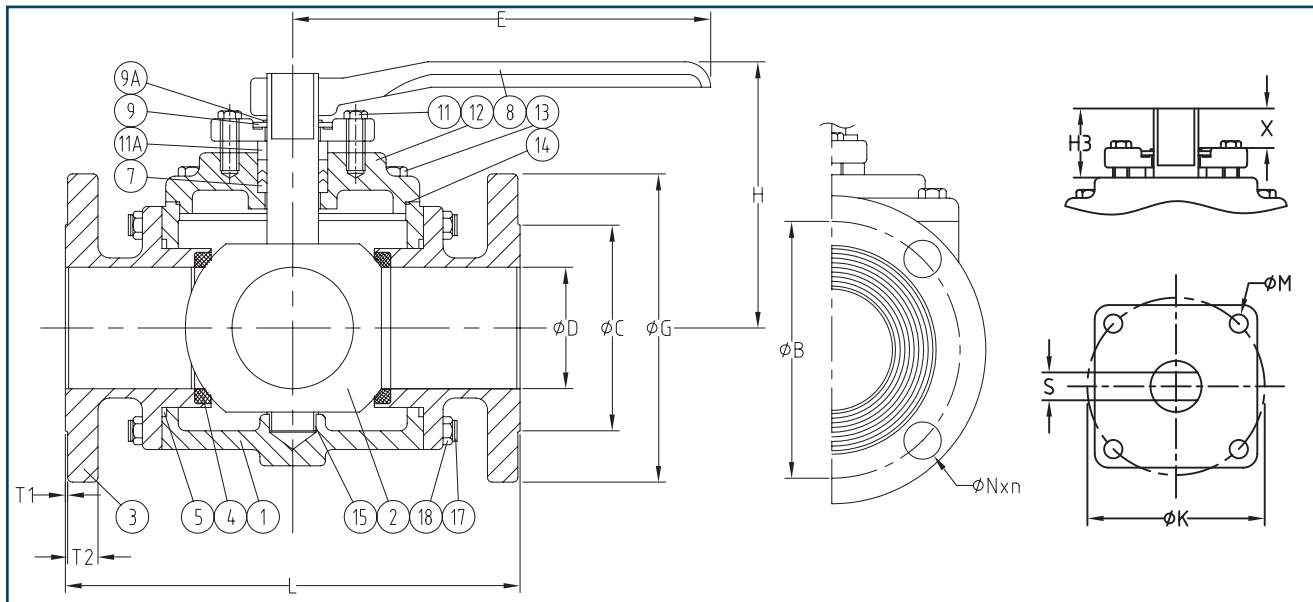
### Cv & Weights

Size	Cv	Wt. (Lbs)
2	153	36
2-1/2	275	56
3	364	75
4	662	122
6	1575	300
8	2889	530
10	4470	684

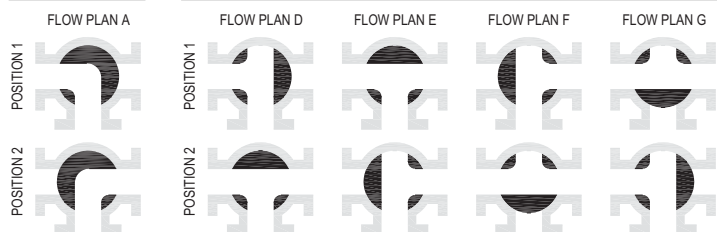
### Standard Materials

Ref. No.	Description	Material	Qty
1	Body	ASTM A351 Gr. CF8M	1
2	Ball & Stem	ASTM A351 Gr. CF8M	1
3	Flanged End Cap	ASTM A351 Gr. CF8M	3
4	Seat	RTFE (PTFE+15% G.F.)	3
5	Body Seal	PTFE	3
7	Stem Packing	PTFE	1 Set
8	Handle	FCD45	1
9	Stopper	304SS	1
9A	Retainer Ring	S45C	1
11	Gland Bolt	304SS	2
11A	Gland	CF8	1
12	Cover	ASTM A351 Gr. CF8M	1
13	Cover Bolt	304SS	1 Set
14	Cover Seal	PTFE	1
15	Stem Sleeve	PTFE	1
17	Body Stud	304SS	3 Sets
18	Body Nut	304SS	3 Sets

### 3-WAY FULL PORT 150# FLANGED

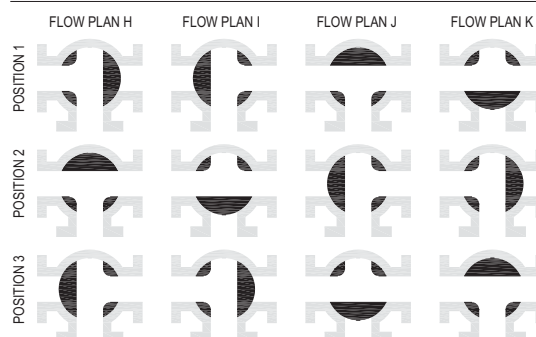


90° L-PORT PATTERNS



90° T-PORT PATTERNS

180° T-PORT PATTERNS



When requesting 3-way valves with actuation or limit switches from FNW, indicate which flow plan is desired by its associated letter.

### Dimensions (Inches)

Size	ØB	ØC	ØD	E	ØG	L	H	S	ØK	ØM	T1	T2	n	ØN	H3	X
															Tolerance ± 0.079	
2	4.75	3.62	1.97	15.16	6.00	8.66	4.80	0.67	2.76	3/8	0.06	0.63	4	0.75	1.772	0.787
2-1/2	5.50	4.13	2.60	15.16	7.00	11.14	6.42	0.67	2.76	7/16	0.06	0.69	4	0.75	2.992	1.772
3	6.00	5.00	2.99	15.16	7.50	10.95	6.89	0.67	4.02	7/16	0.06	0.75	4	0.75	2.441	1.417
4	7.50	6.18	3.98	15.16	9.00	13.11	8.47	0.91	4.92	1/2	0.06	0.94	8	0.87	2.480	1.417
6	9.50	8.50	5.95	19.69	11.00	16.85	10.08	1.38	4.92	1/2	0.06	1.00	8	0.87	3.150	1.574
8	11.75	10.63	7.91	19.69	13.50	20.87	11.93	1.77	6.50	5/8	0.06	1.13	8	0.87	3.307	1.614
10	14.25	12.76	9.84	19.69	16.00	27.68	12.99	1.77	6.50	5/8	0.06	1.19	12	0.98	3.386	1.574