

# Figure 600 STAINLESS STEEL BALL VALVES



## 2 PC FULL PORT 150# FLANGED

### Features:

- Full Port
- RTFE Seats Standard
- Stainless Steel Trim Standard
- Blow-out Proof Stem Design
- AntiStatic Design
- Adjustable Packing
- Removable Stop Plate and Locking Device

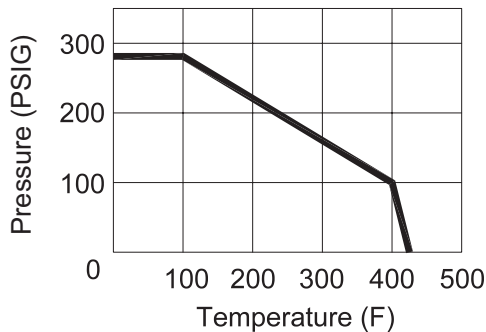
### Standards:

- Design: ASME B16.34
- Pressure Test: API 598 API 598
- Flange Dimensions: ANSI B16.5
- Face to Face Dimensions: ANSI B16.10
- Materials & Design: ASME B16.34
- Mounting Pad: ISO 5211



### Standard Materials

Ref. No.	Description	Material	Qty
1	Body	ASTM A351 Gr. CF8M	1
2	Ball	ASTM A351 Gr. CF8M (6" to 10" Hollow Ball)	1
3	End Cap	ASTM A351 Gr. CF8M	1
4	Seat	RTFE (PTFE+15% G.F.)	2
5	Body Seal	PTFE	1
6	Stem	ASTM A276-316	1
7	Stem Packing	PTFE	1 Set
7A	Stem Bushing	PTFE	1
7B	Bearing	PTFE	1
8	Handle	ASTM A216 Gr. WCB	1
9	Snap Ring	AISI 304SS	2
9A	Stop Plate	AISI 304SS	1
10	Thrust Washer	PTFE	1
11	Gland	AISI 304SS	1
13	Gland Bolt	AISI 304SS	2
17	Body Stud	ASTM A193 Gr. B8	4-12
18	Body Nut	ASTM A194 Gr. 8	4-12



### Figure Number Matrix

<b>FNW 6 0 0 X</b>	
SIZE CODES	
1/2 = D	2-1/2 = L
3/4 = F	3 = M
1 = G	4 = P
1-1/4 = H	6 = U
1-1/2 = J	8 = X
2 = K	10 = 10

For other valve materials or configurations, contact FNW Valve at (503) 287-8383 for sales assistance.

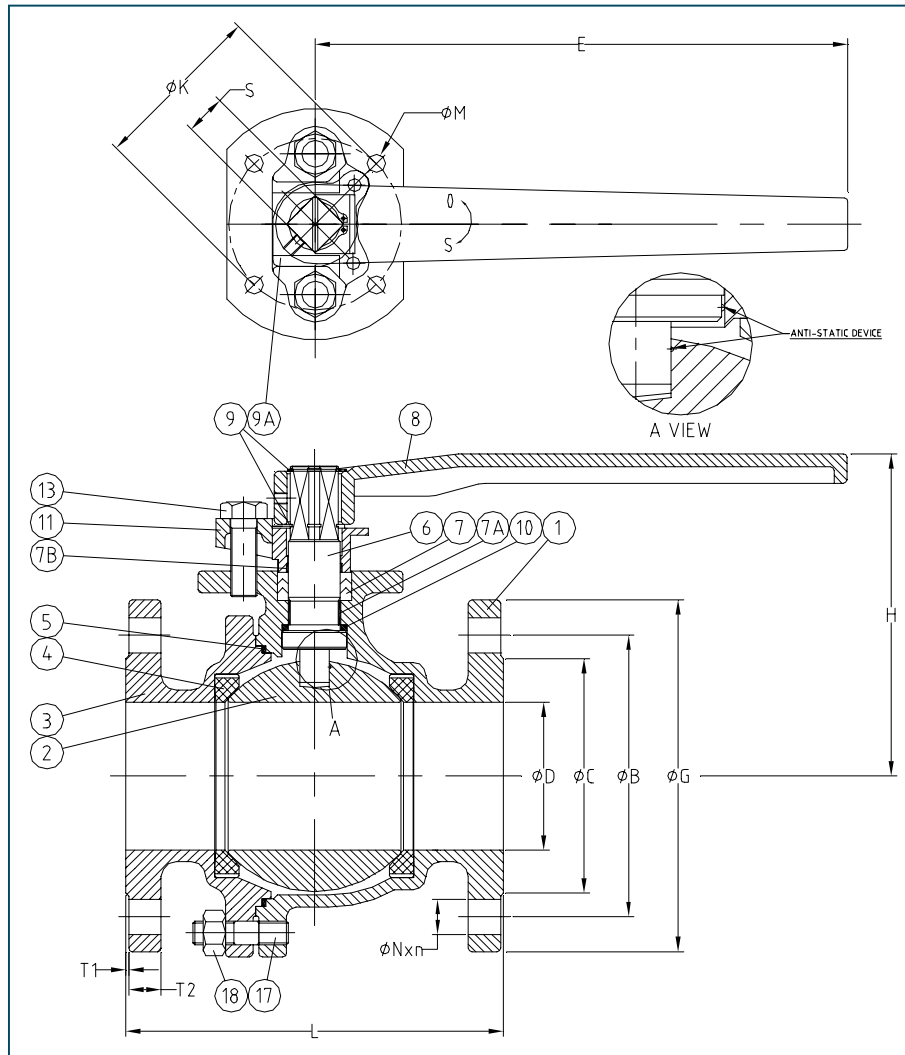
### Cv & Weights

Size	Cv	Wt. (lbs)
1/2	15	4
3/4	61	5
1	110	8
1-1/2	270	15
2	500	22
2-1/2	800	32
3	1310	43
4	2120	68
6	5070	137
8	9250	221
10	15170	333

### Torque

Size	Torque (in-lbs)
1/2	134
3/4	161
1	217
1-1/2	333
2	567
2-1/2	698
3	1,196
4	1,628
6	3,827
8	7,635
10	11,618

## 2 PC FULL PORT 150# FLANGED



### Dimensions (Inches)

Size	ØB	ØC	ØD	E	ØG	L	H	S	ØK	ØM	T1	T2	n	ØN
1/2	2.38	1.38	0.50	5.59	3.50	4.25	3.10	0.433	1.65	1/4-20	0.06	0.44	4	0.62
3/4	2.75	1.69	0.75	5.59	3.88	4.62	3.61	0.433	1.65	1/4-20	0.06	0.44	4	0.62
1	3.12	2.00	1.00	5.59	4.25	5.00	3.04	0.551	1.97	1/4-20	0.06	0.44	4	0.62
1-1/2	3.88	2.88	1.50	7.87	5.00	6.50	4.36	0.669	2.76	5/16-18	0.06	0.56	4	0.62
2	4.75	3.62	2.00	7.87	6.00	7.00	4.66	0.669	2.76	5/16-18	0.06	0.62	4	0.75
2-1/2	5.50	4.12	2.50	7.87	7.00	7.50	5.57	0.669	2.76	5/16-18	0.06	0.69	4	0.75
3	6.00	5.00	3.00	12.93	7.50	8.00	6.64	0.866	4.02	3/8-16	0.06	0.75	4	0.75
4	7.50	6.19	4.00	12.93	9.00	9.00	7.55	0.866	4.02	3/8-16	0.06	0.94	8	0.87
6	9.50	8.50	6.00	29.62	11.00	15.50	10.89	1.063	4.92	1/2-13	0.06	1.00	8	0.87
8	11.75	10.62	7.87	39.37	13.50	17.99	11.81	1.417	5.51	5/8-11	0.06	1.12	8	0.87
10	14.25	12.76	9.84	39.37	15.98	21.00	13.78	1.811	6.50	3/4-10	0.06	1.20	12	1.00

DOC: FNWBV60005 Ver. 1/09

© 2009 - FNW. All rights reserved.  
The FNW logo is a registered trademark of Ferguson Enterprises, Inc.

The contents of this publication are presented for information purposes only, and while effort has been made to ensure their accuracy, they are not to be construed as warranties or guarantees, expressed or implied, regarding the products or services described herein or their use or applicability. All sales are governed by our terms and conditions, which are available on request. We reserve the right to modify or improve the designs or specifications of our products at any time without notice. Always verify that you have the most recent product specifications or other documentation prior to the installation of these products.