

2 PC FULL PORT 3/4" HOSE CONNECTION BALL VALVE

Features:

- 3/4" Hose Connection
- 600 WOG
- Full Port
- Blow-out Proof Stem
- Adjustable Packing
- Forged Brass Body & End Cap
- Available with FNPT, Sweat End, and MNPT connection
- Includes Cap, Cap Gasket, and Chain

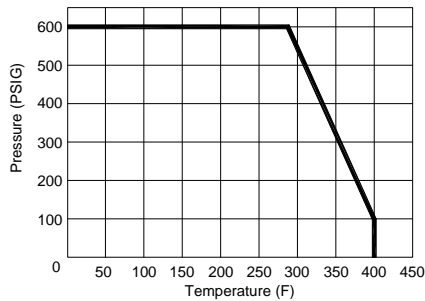


Fig. 426 - FNPT



Fig. 427 - Sweat



Fig. 428 - MNPT

Weights

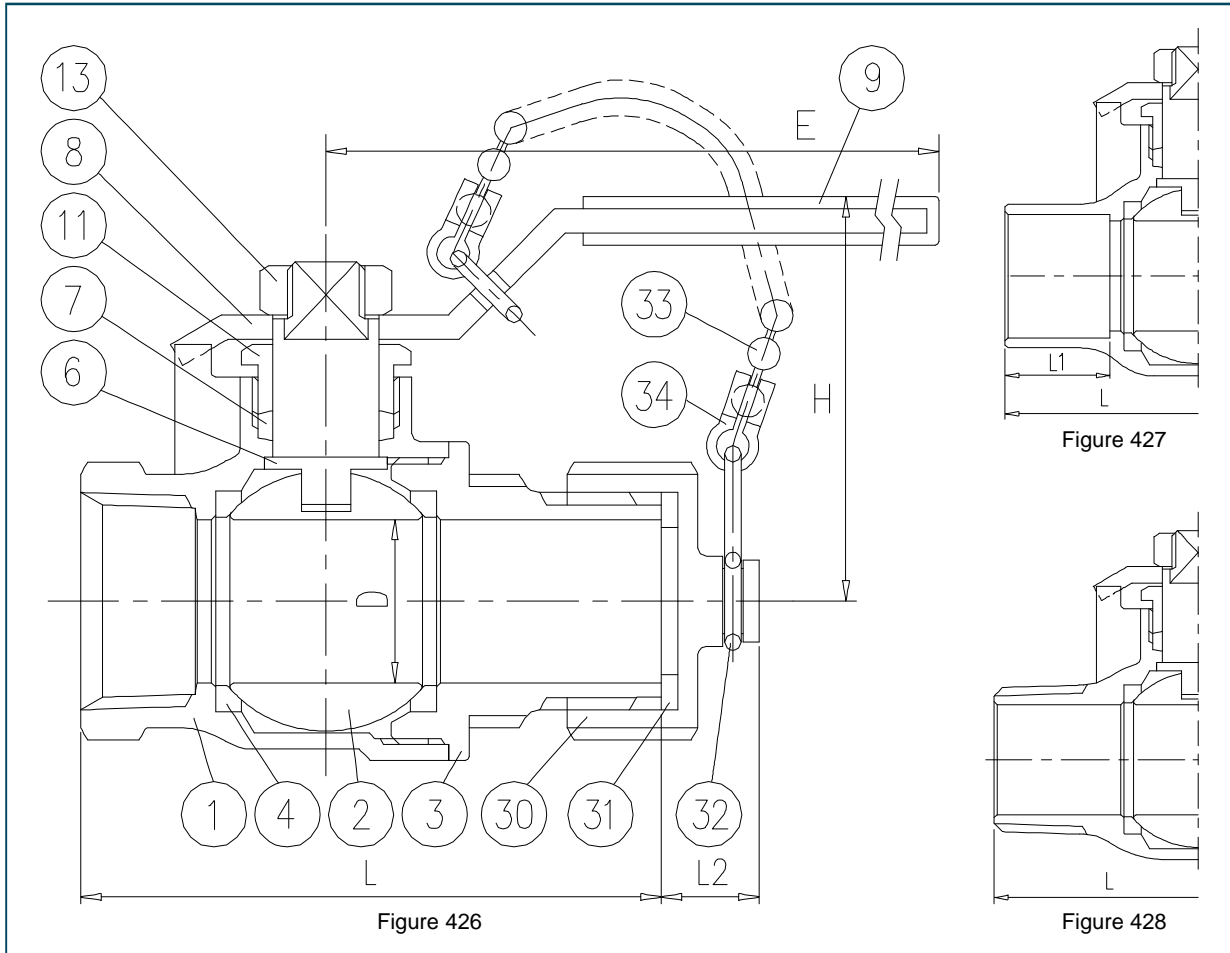
Figure	Wt. (Lbs)	
	1/2"	3/4"
426	0.58	1.05
427	0.52	0.90
428	0.54	0.94

Figure Number Matrix

F N W 4 2 End Size F	
END TYPES	SIZE CODES
6 = FNPT	1/2 = D
7 = SWEAT	3/4 = F
8 = MNPT	

For other valve materials or configurations, contact FNW Valve at (503) 287-8383 for sales assistance.

2 PC FULL PORT 3/4" HOSE CONNECTION BALL VALVE



Dimensions (Inches)

Figure	Size	ØD	E	H	L	L1	L2
426	1/2	0.50	3.31	1.55	2.48	-	0.47
	3/4	0.79	4.65	1.97	2.80	-	0.47
427	1/2	0.50	3.31	1.55	2.36	0.50	0.47
	3/4	0.79	4.65	1.97	2.99	0.75	0.47
428	1/2	0.50	3.31	1.55	2.56	-	0.47
	3/4	0.79	4.65	1.97	3.07	-	0.47

Standard Materials

Ref. No.	Description	Material	Qty
1	Body	Brass B124-C37700	1
2	Ball	Brass B16-C36000 (NC Plated)	1
3	End Cap	Brass B124-C37700	1
4	Seat	PTFE	2
6	Stem	Brass B16-C36000	1
7	Stem Packing	PTFE	1
8	Handle	Steel A283-D	1
9	Handle Cover	Plastic	1
11	Gland Nut	Brass B16-C36000	1
13	Handle Nut	Steel AISI-1010	1
30	Cap Nut	Brass B124-C37700	1
31	Cap Nut Seal	NBR	1
32	Ring	Steel A227	2
33	Chain	Steel A283-D	1
34	Plate	Steel A283-D	2

DOC: FNW426-8BV07 Ver. 1/10

© 2010 - FNW. All rights reserved.
The FNW logo is a registered trademark of Ferguson Enterprises, Inc.

The contents of this publication are presented for information purposes only, and while effort has been made to ensure their accuracy, they are not to be construed as warranties or guarantees, expressed or implied, regarding the products or services described herein or their use or applicability. All sales are governed by our terms and conditions, which are available on request. We reserve the right to modify or improve the designs or specifications of our products at any time without notice. Always verify that you have the most recent product specifications or other documentation prior to the installation of these products.