

Figure 421 BRASS BODY BALL VALVES



2 PC FULL PORT 600 WOG w/SWEAT ENDS

Features:

- 600 WOG
- 150 WSP
- Full Port
- Meets NSF-61 Standards (to 2")
- Meets MSS SP-110 Standards
- Blow-out Proof Stem
- Adjustable Packing
- Sweat Ends (ANSI B 16.18)
- Forged Brass Body & End Cap
- 100% Electronically Tested in Open and Closed Position at 80 PSI
- Optional Lock Lever
- Optional Stem Extension
- Optional Tee Handle (to 1")
- Optional Oval Handle (to 2")
- Optional Memory Stop (to 2")



OPTIONS



Lock Lever



Stem Extension



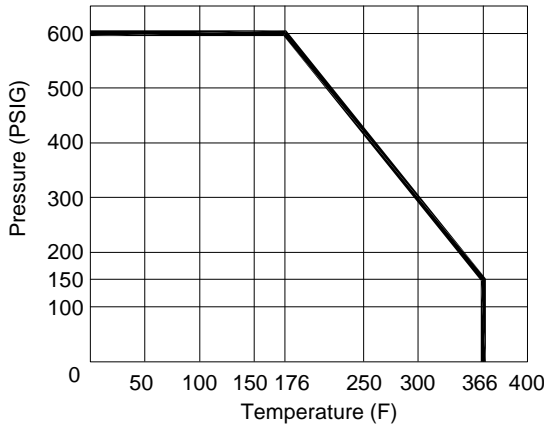
Tee Handle



Oval Handle



Memory Stop



Cv & Weights

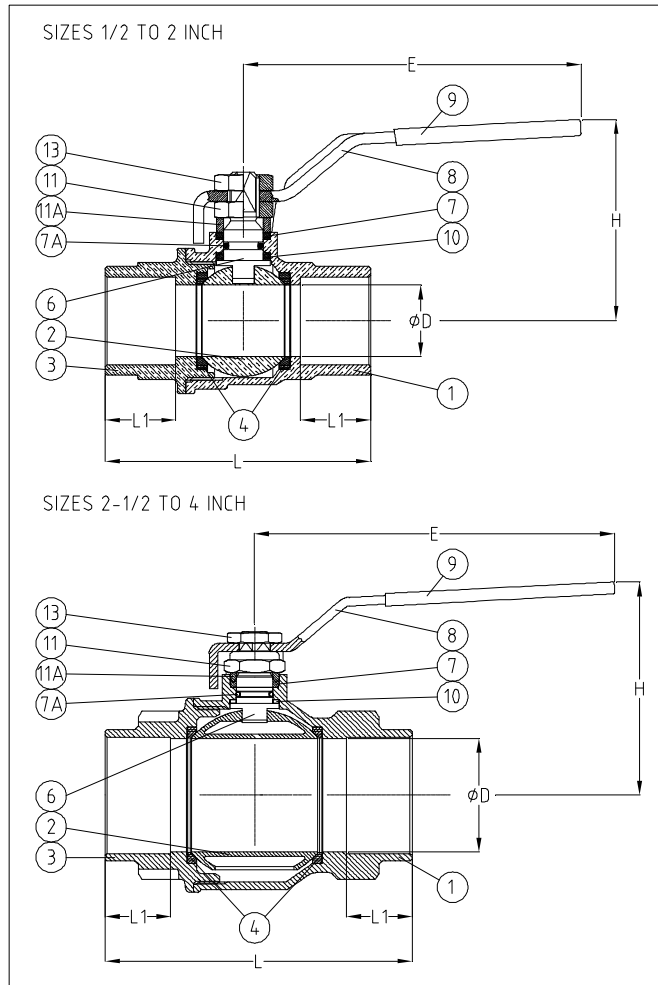
Size	Cv	Wt. (Lbs)
1/2	19	0.5
3/4	34	0.7
1	50	1.1
1-1/4	103	2.0
1-1/2	266	3.1
2	307	4.2
2-1/2	624	8.0
3	1009	12.9
4	1607	22.0



Figure Number Matrix

F N W 4 2 1 Size	Kit Codes (Order Separately)		
SIZE CODES 1/2 = D 2 = K 3/4 = F 2-1/2 = L 1 = G 3 = M 1-1/4 = H 4 = P 1-1/2 = J	LOCK LEVER 1/2 = FNW420LHKBD 3/4 - 1 = FNW420LHKFG 1-1/4 - 1-1/2 = FNW420LHKHJ 2 = FNW420LHKK 2-1/2 = FNW420LHKL 3 = FNW420LHKM 4 = FNW420LHKP	EXTENSIONS 1/2 = FNW420SEBD 3/4 - 1 = FNW420SEFG 1-1/4 - 1-1/2 = FNW420SEHJ 2 = FNW420SEK 2-1/2 - 3 = FNW420SELM 4 = FNW420SEP	OVAL HANDLES 1/2 = FNW420OHKBCD 3/4 - 1 = FNW420OHKFG 1-1/4 - 1-1/2 = FNW420OHKHJ 2 = FNW420OHKK MEMORY STOPS 1/2 = FNW420MSKBD 3/4 - 1 = FNW420MSKFG 1-1/4 - 1-1/2 = FNW420MSKHJ 2 = FNW420MSKK
	TEE HANDLES 1/2 = FNW420THKBD 3/4 - 1 = FNW420THKFG		

2 PC FULL PORT 600 WOG w/SWEAT ENDS



Dimensions (Inches)

Size	ØD	E	L	L1	H
1/2	0.57	3.78	2.58	0.50	1.81
3/4	0.76	4.76	3.00	0.75	2.28
1	0.98	4.76	3.56	0.91	2.44
1-1/4	1.26	5.94	4.09	0.97	3.00
1-1/2	1.57	5.94	4.56	1.10	3.23
2	1.95	6.30	5.45	1.34	3.74
2-1/2	2.56	8.11	6.90	1.48	4.84
3	3.05	8.11	8.05	1.67	5.23
4	3.94	10.27	10.25	2.17	6.49

Standard Materials

Ref. No.	Description	Material	Qty
1	Body	Brass CW 617N UNI EN 12165	1
2	Ball	Brass CW 617N UNI EN 12165 (Nickel-Chrome Plated)	1
3	End Cap	Brass CW 617N UNI EN 12165	1
4	Seat	PTFE	2
6	Stem	Brass CW 614N UNI EN 12164	1
7	Stem Packing	PTFE	1 Set
7A	Stem O-ring	NBR 75 Shore A	1
8	Handle	Fe DD 11 UNI 10111	1
9	Handle Cover	Vinyl	1
10	Thrust Washer	PTFE	1
11	Gland Nut	Zinc Plated Steel 6S	1
11A	Packing Gland	Brass CW 614N UNI EN 12164	1
13	Handle Nut	Zinc Plated Steel 6S	1

DOC: FNWBV42108 Ver. 7/09

© 2009 - FNW. All rights reserved.
The FNW logo is a registered trademark of Ferguson Enterprises, Inc.

The contents of this publication are presented for information purposes only, and while effort has been made to ensure their accuracy, they are not to be construed as warranties or guarantees, expressed or implied, regarding the products or services described herein or their use or applicability. All sales are governed by our terms and conditions, which are available on request. We reserve the right to modify or improve the designs or specifications of our products at any time without notice. Always verify that you have the most recent product specifications or other documentation prior to the installation of these products.