

Figure 411 BRASS BODY BALL VALVES



2 PC FULL PORT 600 WOG

Features:

- Sweat Connection
- 600 WOG
- 150 WSP
- Full Port
- PTFE Seats
- Meets MSS SP-110 Standards
- NSF 61-8 Approved
- Blow-out Proof Stem
- Adjustable Packing
- Optional Lock Lever (to 3")
- Optional Stem Extension (to 3")
- Optional Tee Handle (to 1")
- Optional Oval Handle (to 2")
- Optional Memory Stop (to 4")



OPTIONS



Standard or Locking Lever Kit



Tee or Oval Handle Kit



Stem Extension Kit



Memory Stop

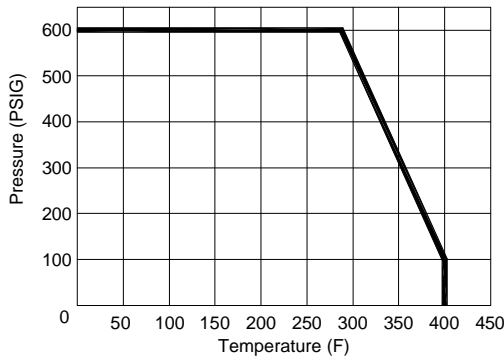
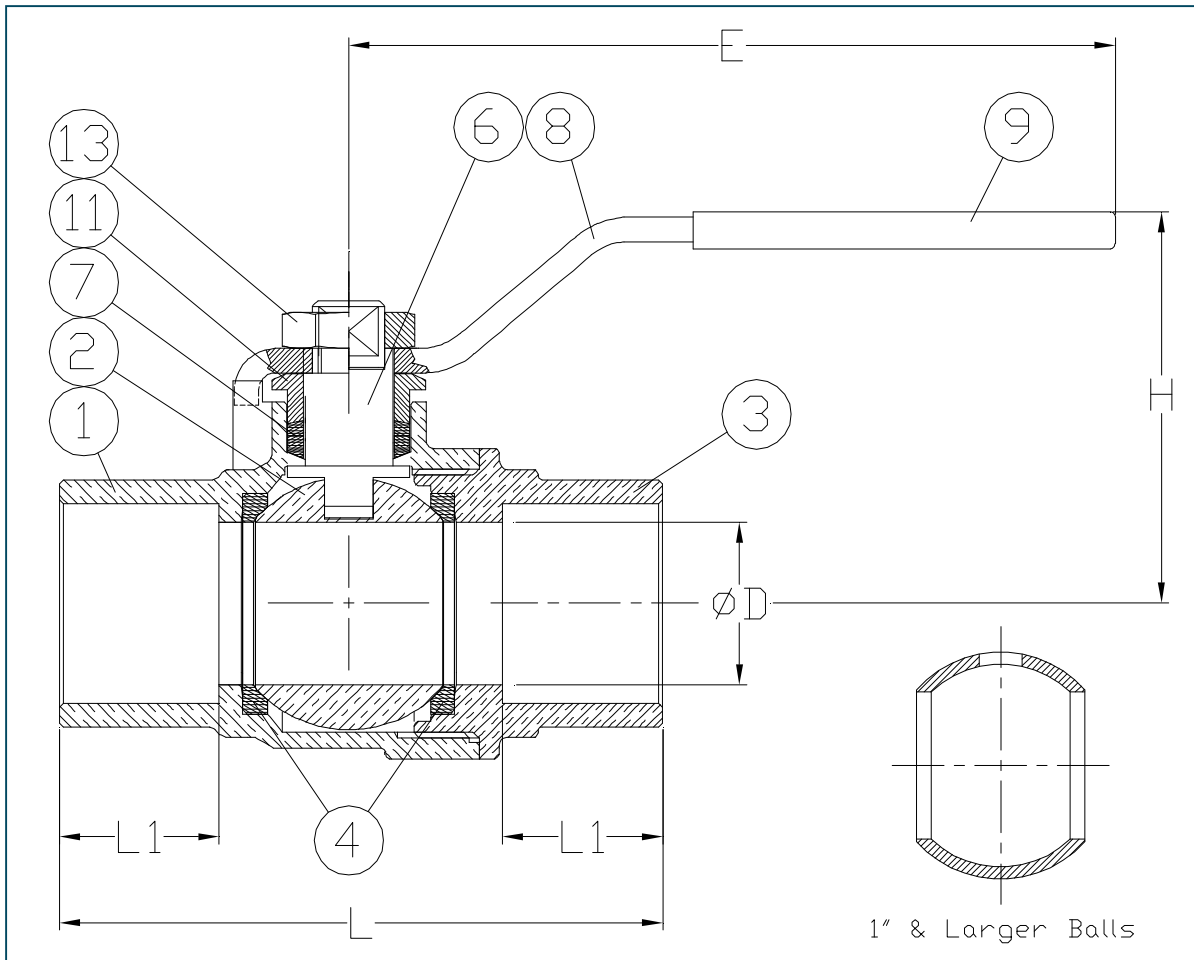


Figure Number Matrix

FNW 4 1 1 Size	Kit Codes (Order Separately)		
SIZE CODES	EXTENSION	LOCKING HANDLE	REPLACEMENT LEVER
1/2 = D 1-1/2 = J	1/2 = FNW410SEBD	1/2 = FNW410LHKD	1/2 = FNW410HKD
3/4 = F 2 = K	3/4 - 1 = FNW410SEFG	3/4 - 1 = FNW410LHKFG	3/4 - 1 = FNW410HKFG
1 = G 2-1/2 = L	1-1/4 - 1-1/2 = FNW410SEHJ	1-1/4 - 1-1/2 = FNW410LHKHJ	1-1/4 - 1-1/2 = FNW410HKHJ
1-1/4 = H 3 = M	2 = FNW410SEK	2 = FNW410LHKK	2 = FNW410HKK
	2-1/2 - 3 = FNW410SELM	2-1/2 - 3 = FNW410LHKLP	2-1/2 - 3 = FNW410HKLP
	OVAL HANDLE	MEMORY STOP	TEE HANDLE
	1/2 = FNW410OHKBD	1/2 = FNW410MSKBD	1/2 = FNW410THKBD
	3/4 - 1 = FNW410OHKFG	3/4 - 1 = FNW410MSKFG	3/4 - 1 = FNW410THKFG
	1-1/4 - 1-1/2 = FNW410OHKHJ	1-1/4 - 1-1/2 = FNW410MSKHJ	
	2 = FNW410OHK	2 - 4 = FNW410MSKPP	

2 PC FULL PORT 600 WOG



Dimensions (Inches) & Weights

SIZE	ØD	E	L	H	L1	Wt (Lbs)
1/2	0.51	3.36	1.96	1.56	0.50	0.33
3/4	0.80	4.72	2.80	2.00	0.75	0.73
1	1.00	4.72	3.36	2.16	0.91	1.08
1-1/4	1.28	5.36	3.84	2.64	0.97	1.92
1-1/2	1.52	5.36	4.36	2.80	1.09	2.43
2	2.00	8.00	5.48	3.52	1.34	4.17
2-1/2	2.52	8.00	6.32	3.92	1.47	5.03
3	3.00	8.00	7.28	4.24	1.66	8.14

Standard Materials

Ref. No.	Description	Material	Qty
1	Body	B124-C37700 (1/2" - 1-1/2")	1
		B584-C85700 (2" & Up)	
2	Ball	B16-C36000 (1/2" - 3/4")	1
		B124-C37700 (1" & Up)	
3	End Cap	B124-C37700	1
4	Seat	PTFE	2
6	Stem	B16-C36000	1
7	Stem Packing	PTFE	1 Set
8	Handle	A283-D	1
9	Handle Cover	Plastic	1
11	Packing Gland	B16-C36000	1
13	Handle Nut	AISI-1010	1

DOC: FNWBV41107 Ver. 1/2010

© 2010 - FNW. All rights reserved.
The FNW logo is a registered trademark of Ferguson Enterprises, Inc.

The contents of this publication are presented for information purposes only, and while effort has been made to ensure their accuracy, they are not to be construed as warranties or guarantees, expressed or implied, regarding the products or services described herein or their use or applicability. All sales are governed by our terms and conditions, which are available on request. We reserve the right to modify or improve the designs or specifications of our products at any time without notice. Always verify that you have the most recent product specifications or other documentation prior to the installation of these products.