

Figure 410 BRASS BODY BALL VALVES



2 PC FULL PORT* 600 WOG

Features:

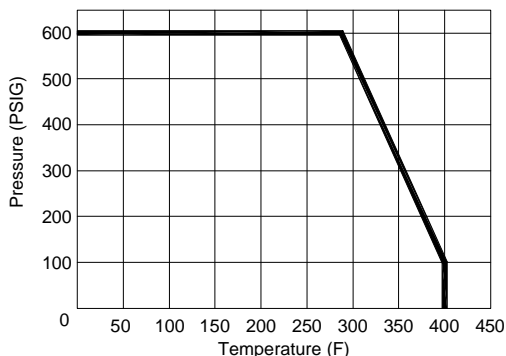
- Threaded Connection
- 600 WOG
- 150 WSP
- Full Port *
- PTFE Seats
- Meets MSS SP-110 Standards
- NSF 61-8 Approved
- UL Approved (Up to 2")
- FM & CSA Approved (1/2" to 2" only)
- Blow-out Proof Stem
- Adjustable Packing
- Optional Lock Lever (to 4")
- Optional Stem Extension (to 4")
- Optional Tee Handle (to 1")
- Optional Oval Handle (to 2")
- Optional Memory Stop (to 4")



OPTIONS



* 4" Valve is Standard Port



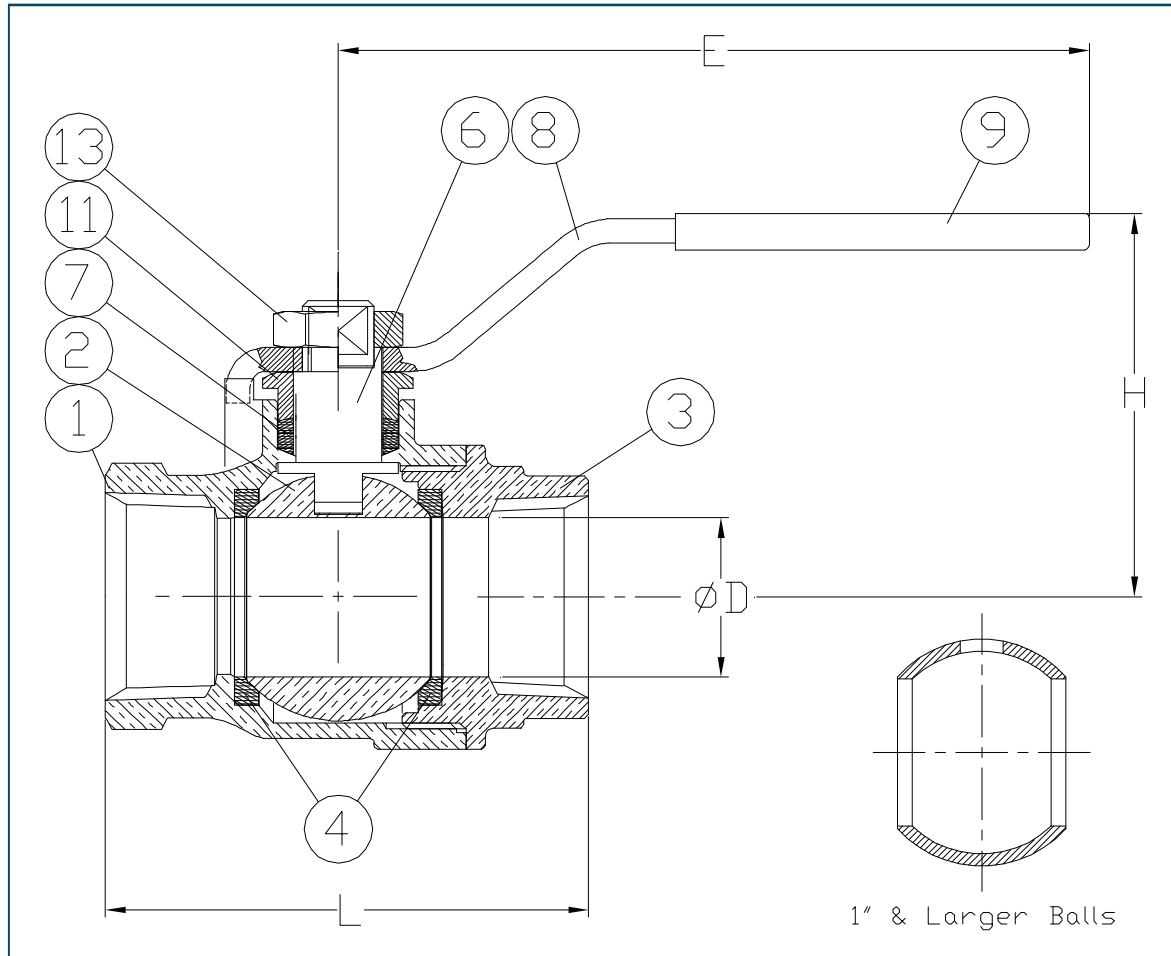
Gas Approvals (1/2" to 2" only):

- CSA Class 3371-08, ANSI Z21.15/CSA9.1, 1/2 PSIG, 32°F - 125°F
- CSA Class 3371-10, CGA 3.16, 125 PSIG, -40°F - 149°F
- CSA Class 3371-12, CGA CR91-002, 2-5 PSIG, -40°F - 125°F
- CSA Class 3371-88, ANSI Z21.15/CSA9.1, 1/2 PSIG, -40°F - 1125°F
- CSA Class 3371-92, ASME B16.44, 5 PSIG, -40°F - 125°F
- CSA Class 3371-94, ASME B16.33, 125 PSIG, -20°F - 150°F
- UL Class YRBX, ANSI/UL-842, 600 PSIG, -20°F - 125°F
- UL Class YSDT, AMSI/UL-125, 250 PSIG, -40°F - 130°F

Figure Number Matrix

FNW410 Size	Kit Codes (Order Separately)		
	EXTENSION	LOCKING HANDLE	REPLACEMENT LEVER
SIZE CODES 1/4 = B 1-1/2 = J 3/8 = C 2 = K 1/2 = D 2-1/2 = L 3/4 = F 3 = M 1 = G 4 = P 1-1/4 = H	1/4 - 1/2 = FNW410SEBD 3/4 - 1 = FNW410SEFG 1-1/4 - 1-1/2 = FNW410SEHJ 2 = FNW410SEK 2-1/2 - 3 = FNW410SELM 4 = FNW410SEPP	1/4 - 3/8 = FNW410LHKBC 1/2 = FNW410LHKD 3/4 - 1 = FNW410LHKFG 1-1/4 - 1-1/2 = FNW410LHKHJ 2 = FNW410LHKK 2-1/2 - 4 = FNW410LHKLP	1/4 - 3/8 = FNW410HKBC 1/2 = FNW410HKD 3/4 - 1 = FNW410HKFG 1-1/4 - 1-1/2 = FNW410HKHJ 2 = FNW410HKK 2-1/2 - 4 = FNW410HKLP
	TEE HANDLE 1/4 - 1/2 = FNW410THKBD 3/4 - 1 = FNW410THKFG	OVAL HANDLE 1/4 - 1/2 = FNW410OHKBD 3/4 - 1 = FNW410OHKFG 1-1/4 - 1-1/2 = FNW410OHKHJ 2 = FNW410OHK	MEMORY STOP 1/4 - 1/2 = FNW410MSKBD 3/4 - 1 = FNW410MSKFG 1-1/4 - 1-1/2 = FNW410MSKHJ 2 - 4 = FNW410MSKPP

2 PC FULL PORT* 600 WOG



Dimensions (Inches) & Weights

SIZE	ØD	E	L	H	Wt (Lbs)
1/4	0.40	3.36	1.84	1.48	0.31
3/8	0.40	3.36	1.84	1.48	0.31
1/2	0.51	3.36	2.20	1.56	0.40
3/4	0.80	4.72	2.56	2.00	0.79
1	1.00	4.72	3.04	2.16	1.19
1-1/4	1.28	5.36	3.48	2.64	1.92
1-1/2	1.52	5.36	3.72	2.80	2.60
2	2.00	8.00	4.40	3.52	4.37
2-1/2	2.52	8.00	5.24	3.92	6.46
3	3.00	8.00	6.00	4.24	7.34
4	3.00	8.00	6.56	4.24	10.8

Standard Materials

Ref. No.	Description	Material	Qty
1	Body	B124-C37700 (1/2" - 1-1/2")	1
		B584-C85700 (2" & Up)	
2	Ball	B16-C36000 (1/2" - 3/4")	1
		B124-C37700 (1" & Up)	
3	End Cap	B124-C37700	1
4	Seat	PTFE	2
6	Stem	B16-C36000	1
7	Stem Packing	PTFE	1 Set
8	Handle	A283-D	1
9	Handle Cover	Plastic	1
11	Packing Gland	B16-C36000	1
13	Handle Nut	AISI-1010	1

DOC: FNWBV41007 Ver. 1/2010

© 2010 - FNW. All rights reserved.
The FNW logo is a registered trademark of Ferguson Enterprises, Inc.

The contents of this publication are presented for information purposes only, and while effort has been made to ensure their accuracy, they are not to be construed as warranties or guarantees, expressed or implied, regarding the products or services described herein or their use or applicability. All sales are governed by our terms and conditions, which are available on request. We reserve the right to modify or improve the designs or specifications of our products at any time without notice. Always verify that you have the most recent product specifications or other documentation prior to the installation of these products.