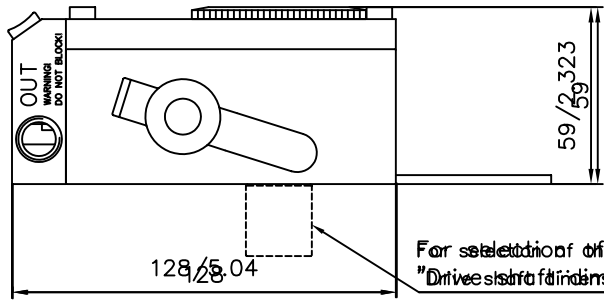
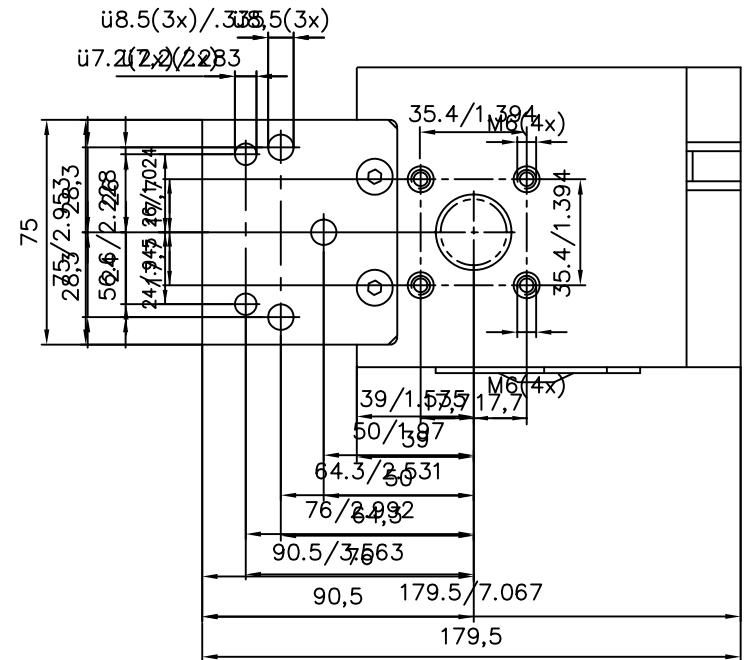
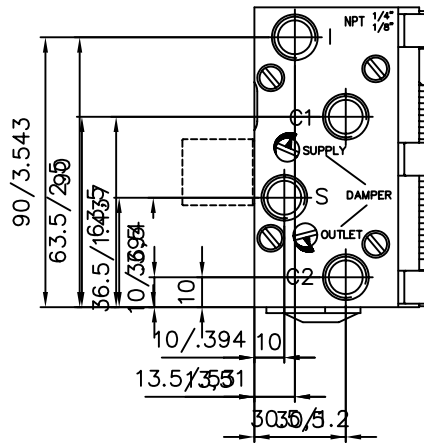
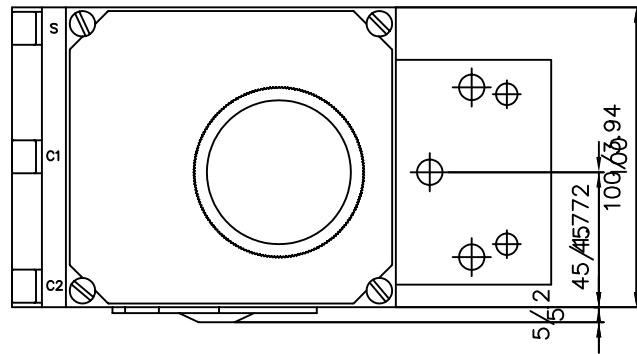


This document must not be copied without our written permission and the contents thereof must not be imparted to a third party nor be used for any unauthorized purpose. Contravention will be prosecuted.



128/2,804

For selection of the feedback spindle please see
"Drives for dimensions drawing PMV2F4N 12184."



DET.NR		ANT.		BENÄMNING		MATERIAL		DIMENSION		ANM.	
HÅL TOL.		EJ UTSATTA TOLERANSER ENL.		YTA		PROJEKTION EUROPA				Redesigned	
		PMV Positioner P5		PALMSTIERNAS INSTRUMENT AB		RITAD CE		GODK. —		SKALA —	
						RITAD NR PB5DIMMS		DATUM 960402			
KORTA GATAN 9 SE-171 54 SOLNA - TEL: +46 (0)8 555 106 00 FAX: +46 (0)8 555 106 01											