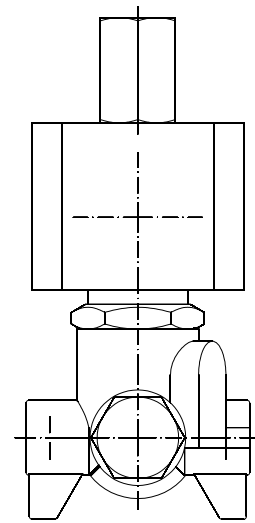
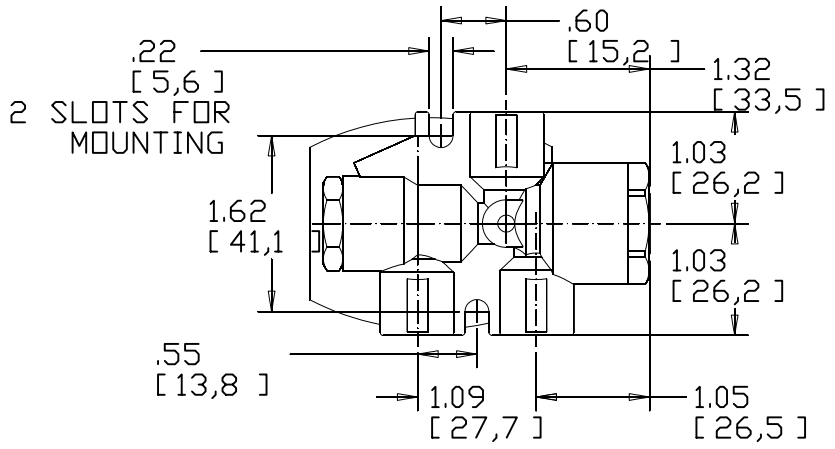


1/4 ANPT
4 PLACES



FNW™		4120 NE Columbia Blvd Portland, OR 97211 Phone (503) 287-8383 Fax (503) 281-9677
TITLE/DESCRIPTION: ASCO 8345		
DATE: 8-8-2005	BY:	UNITS: INCHES
SCALE: NONE	APP'D:	PAGE(S): 1
MODEL: 8345		
DWG NO: 8345		
NOTES:		
FILE: 8345.dwg	WT:	LOC: PORTLAND
PAGE SIZE: 8.5 x 11L	REV: 0	R'DATE:
THIS DRAWING CONTAINS CONFIDENTIAL AND PROPRIETARY INFORMATION OF FNW VALVE AND IS SUBMITTED TO YOU FOR THE LIMITED PURPOSE OF PROVIDING YOU INFORMATION ON PRODUCTS AND SYSTEMS PURCHASED FROM FNW VALVE. BY RECEIVING THIS DOCUMENT, YOU AGREE NOT TO DISCLOSE SUCH INFORMATION TO OTHERS EXCEPT BY WRITTEN PERMISSION OF FNW VALVE.		