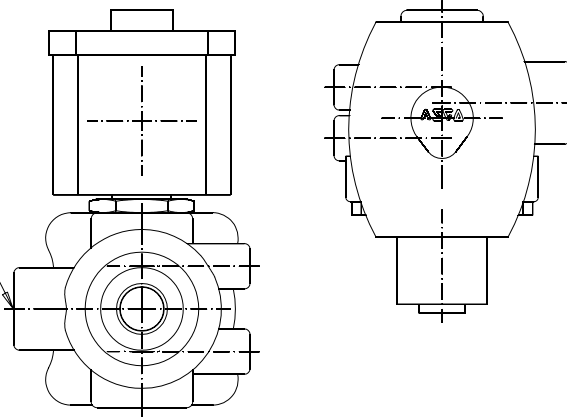


1/4 or
3/8 NPT
4 PLACES



FNW TM		4120 NE Columbia Blvd Portland, OR 97211 Phone (503) 287-8383 Fax (503) 281-9677	
		TITLE/DESCRIPTION: ASCO 8342G1	
DATE: 8-8-2005	BY:	UNITS: INCHES	
SCALE: NONE	APP'D:	PAGE(S): 1	
MODEL: 8342G1			
DWG NO: 8342G1			
NOTES:			
FILE: 8342G1.dwg	WT:	LOC: PORTLAND	
PAGE SIZE: 8.5 x 11L	REV: 0	R'DATE:	
THIS DRAWING CONTAINS CONFIDENTIAL AND PROPRIETARY INFORMATION OF FNW VALVE AND IS SUBMITTED TO YOU FOR THE LIMITED PURPOSE OF PROVIDING YOU INFORMATION ON PRODUCTS AND SYSTEMS PURCHASED FROM FNW VALVE. BY RECEIVING THIS DOCUMENT, YOU AGREE NOT TO DISCLOSE SUCH INFORMATION TO OTHERS EXCEPT BY WRITTEN PERMISSION OF FNW VALVE.			