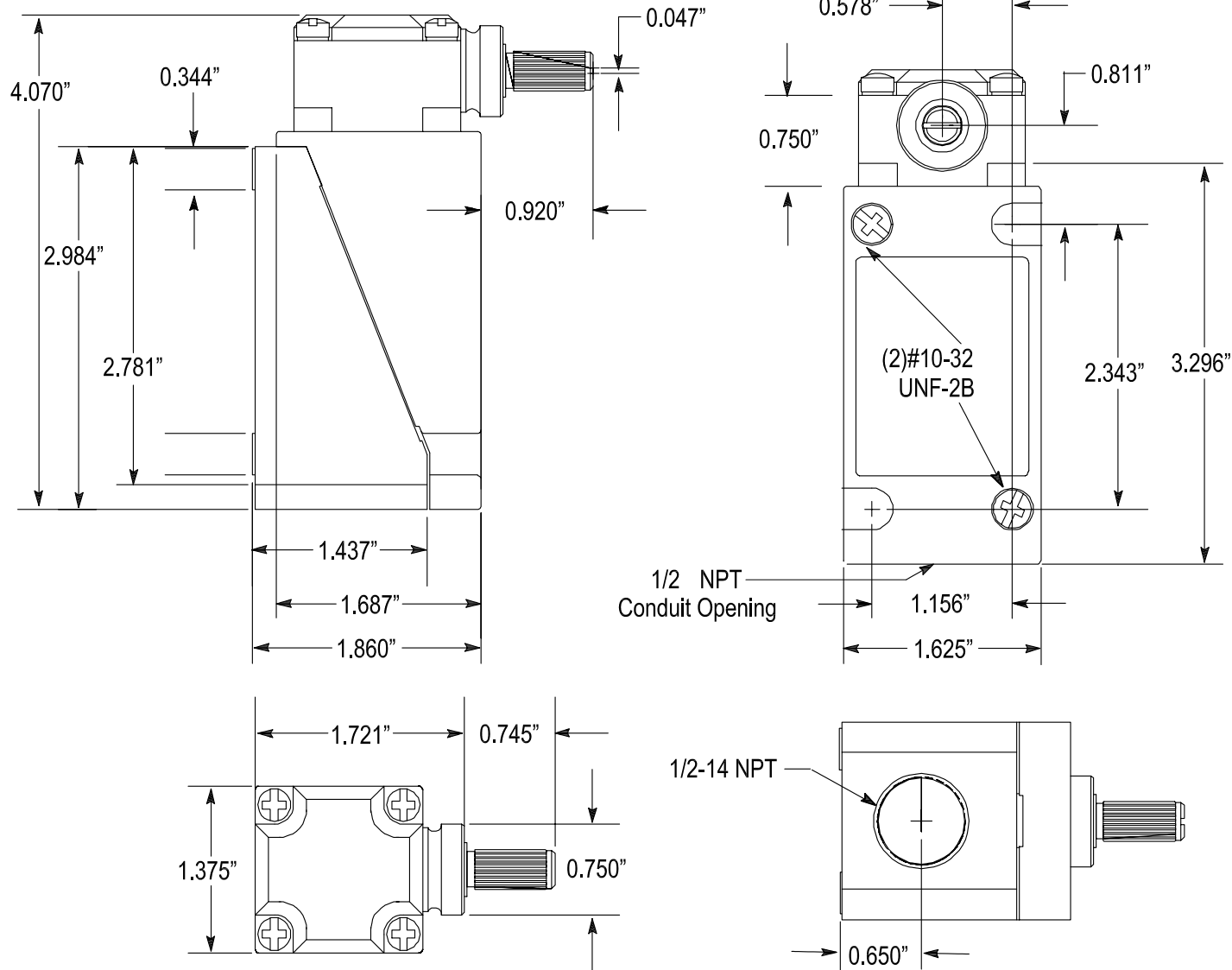


FNW P/N: FNWMLS4



FNW™		4120 NE Columbia Blvd Portland, OR 97211 Phone (503) 287-8383 Fax (503) 281-9677
TITLE/DESCRIPTION: ALLEN BRADLEY 802T OLOG IN STYLE MECHANICAL LIMIT SWITCH (FNW P/N: FNWMLS4)		
DATE: 8-4-2005	BY:	UNITS: INCHES
SCALE: NONE	APP'D:	PAGE(S): 1
MODEL: 802T (FNWMLS4)		
DWG NO: AB 802T		
NOTES:		
FILE: 802T.dwg	WT:	LOC: PORTLAND
PAGE SIZE: 8.5 x 11L	REV: 0	R'DATE:
THIS DRAWING CONTAINS CONFIDENTIAL AND PROPRIETARY INFORMATION OF FNW VALVE AND IS SUBMITTED TO YOU FOR THE LIMITED PURPOSE OF PROVIDING YOU INFORMATION ON PRODUCTS AND SYSTEMS PURCHASED FROM FNW VALVE. BY RECEIVING THIS DOCUMENT, YOU AGREE NOT TO DISCLOSE SUCH INFORMATION TO OTHERS EXCEPT BY WRITTEN PERMISSION OF FNW VALVE.		