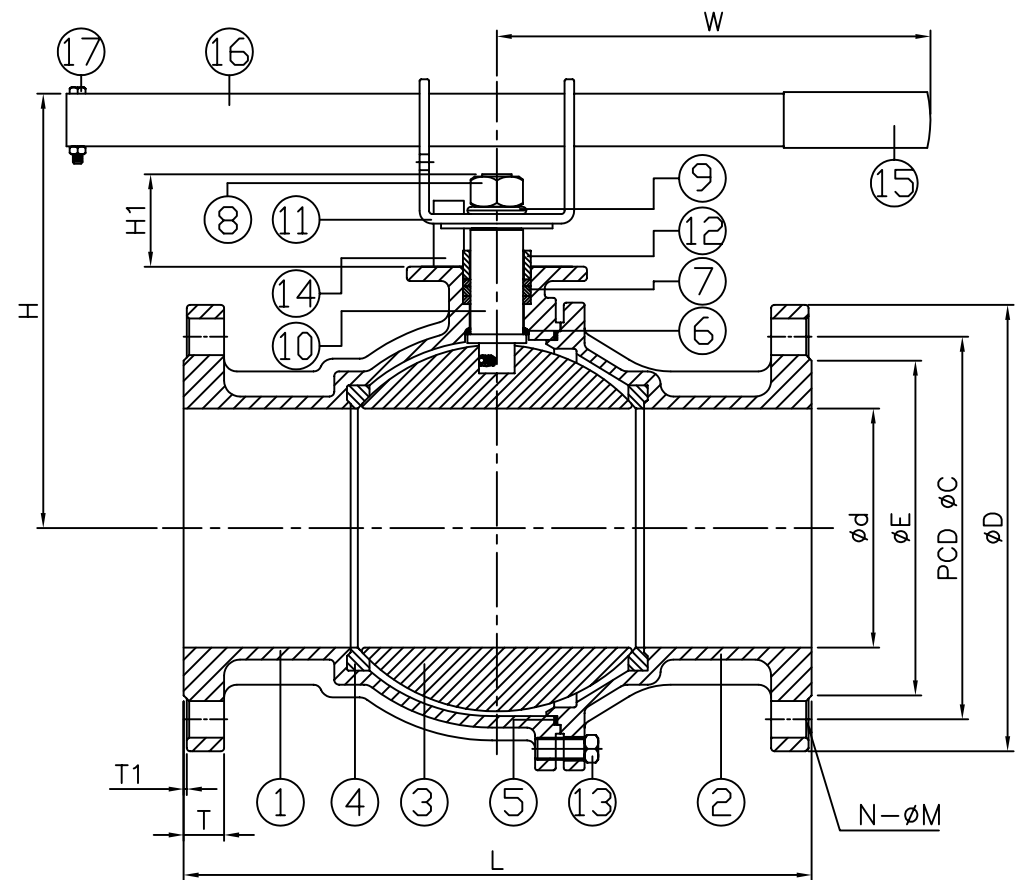


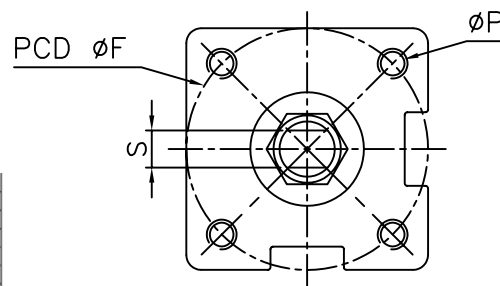
2" TO 4"



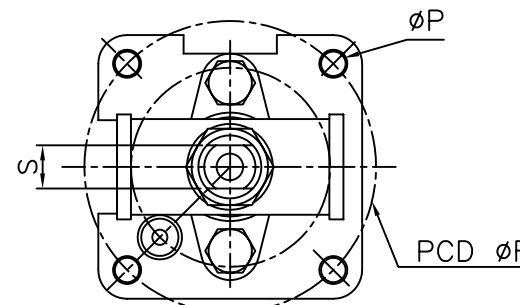
6"

Applicable Standards
 Flange End: ANSI B16.5
 Face to Face: ANSI B16.10
 Mounting Pad: ISO 5211
 Test & Inspection: API 598

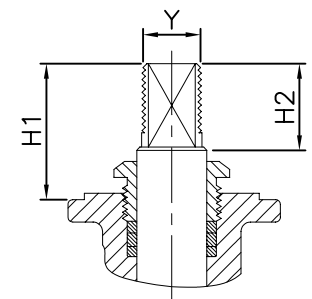
ITEM	PARTS	MATERIAL
1	BODY	ASTM A351-CF8M 1.4408
2	CAP	ASTM A351-CF8M 1.4408
3	BALL	ASTM A351-CF8M /1.4409
4	BALL SEAT	RTFE
5	BODY SEAL	PTFE
6	THRUST WASHER	PTFE
7	PACKING	PTFE
8	STEM NUT	AISI304
9	STEM NUT WASHER	AISI304
10	STEM	AISI316
11	HANDLE	AISI304
12	GLAND	AISI316
13	BOLT	AISI304
14	STOP PIN	AISI304
15	HANDLE SLEEVE	PVC
16	WRENCH TUBE	ASTM A216-WCB
17	HEX HESD BOLT	AISI304



2" TO 4"



6"



Valve	L	W	H	C	D	E	d1	N	M	T	T1	H1	H2	S	Y	F	P	Wt (Lbs)
2"	7.01	10.43	5.31	4.72	6.00	3.70	2.76	4	0.75	0.63	0.06	1.57	0.98	0.47	0.75	1.97	5/16-18	19
2-1/2"	7.52	15.35	5.71	5.49	7.01	4.29	2.76	4	0.75	0.69	0.06	1.60	0.98	0.47	0.75	2.56	5/16-18	29
3"	7.99	15.35	6.54	5.98	7.52	5.08	4.02	4	0.75	0.75	0.06	1.65	1.12	0.59	0.87	3.15	3/8-16	40
4"	9.02	15.35	7.13	7.50	9.02	6.26	4.02	8	0.75	0.94	0.06	1.65	1.12	0.59	0.87	3.94	3/8-16	63
6"	15.51	21.26	10.73	9.50	11.00	8.35	4.92	8	0.88	1.00	0.06	2.24	1.34	0.73	0.87	5.91	1/2-12	149