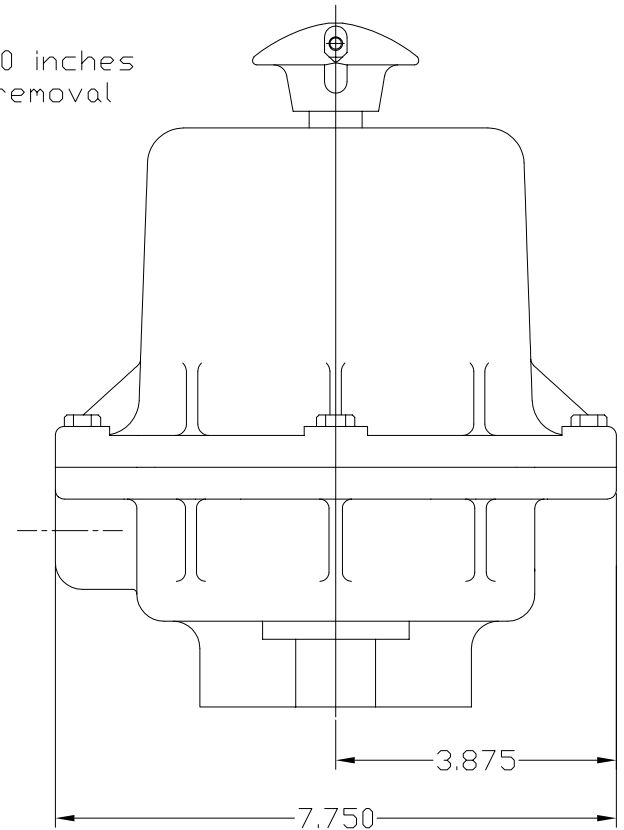
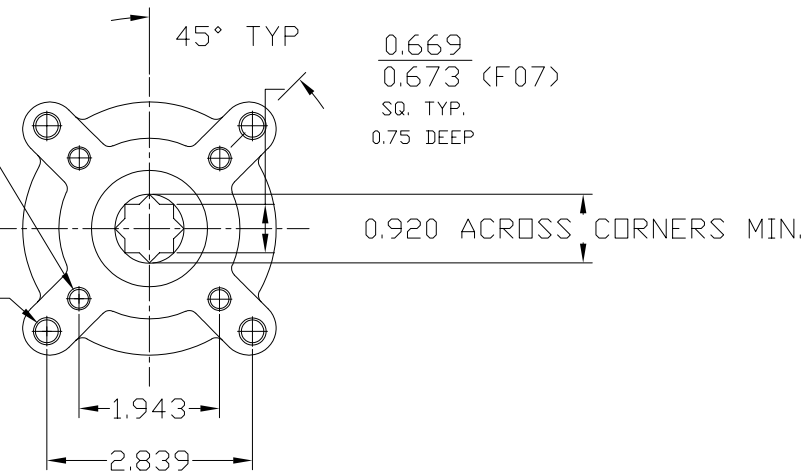


Note: allow 6.0 inches for cover removal



5/16-18 TAP 0.50 DEEP
(4) HOLE EQ. SPACED
ON A 2.76 DIA. B.C.
(F07)

3/8-16 TAP - 0.60 DEEP
(4) HOLES EQ. SPACED
ON A 4.02 DIA. B.C.
(F10)



FNW TM	4120 NE Columbia Blvd Portland, OR 97211 Phone (503) 287-8383 Fax (503) 281-9677	
	TITLE/DESCRIPTION: Fig. 600E & 1600E, ELECTRIC QUARTER-TURN ACTUATOR	

TITLE/DESCRIPTION: Fig. 600E & 1600E, ELECTRIC QUARTER-TURN ACTUATOR

DATE: 8-4-2005	BY:	UNITS: INCHES
SCALE: NONE	APP'D:	PAGE(S): 1

MODEL: 600E & 1600E
DWG NO: FNW600E/1600E

NOTES:

FILE: 600E_1600E.dwg	WT:	LOC: PORTLAND
PAGE SIZE: 8.5 x 11L	REV: 0	R'DATE:

THIS DRAWING CONTAINS CONFIDENTIAL AND PROPRIETARY INFORMATION OF FNW VALVE AND IS SUBMITTED TO YOU FOR THE LIMITED PURPOSE OF PROVIDING YOU INFORMATION ON PRODUCTS AND SYSTEMS PURCHASED FROM FNW VALVE. BY RECEIVING THIS DOCUMENT, YOU AGREE NOT TO DISCLOSE SUCH INFORMATION TO OTHERS EXCEPT BY WRITTEN PERMISSION OF FNW VALVE.