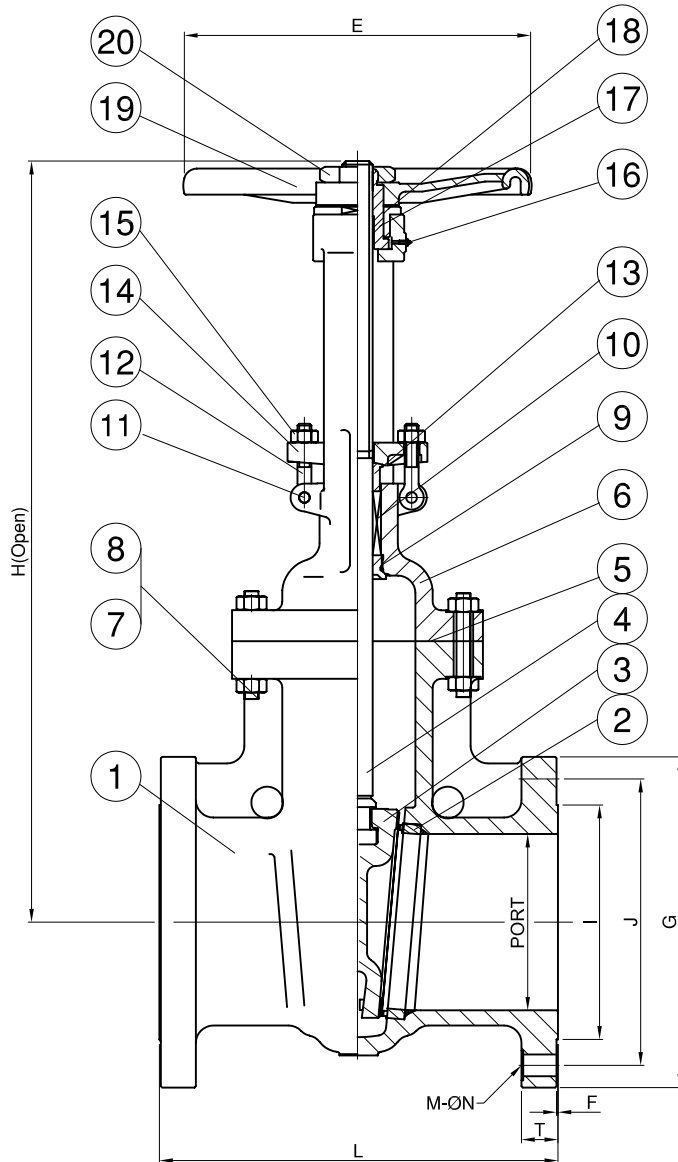


Fig No:

#551



MATERIAL LIST

| ITEM | PART NAME | MATERIAL |
|------|------------------|---|
| 1 | BODY | ASTM A216 GR.WCB |
| 2 | SEAT RINGS | ASTM A105+STELLITE FACED |
| 3 | DISC | ASTM A216 GR.WCB+13%Cr FACED |
| 4 | STEM | ASTM A182 GR.F6 |
| 5 | GASKET | SOFT IRON+GRAPHITE |
| 6 | BONNET | ASTM A216 GR.WCB |
| 7 | BONNET BOLT NUT | ASTM A194 GR.2H |
| 8 | BONNET BOLT | ASTM A193 GR.B7 |
| 9 | BACKSEAT BUSHING | ASTM A276 Type 410 |
| 10 | PACKING | BRAIDED GRAPHITE & DIE FORMED GRAPHITE RING |
| 11 | EYE BOLT PIN | ASTM A105 |
| 12 | EYE BOLT | ASTM A307 B |
| 13 | GLAND | ASTM A276 Type 410 |
| 14 | GLAND FLANGE | ASTM A216 GR.WCB |
| 15 | EYE BOLT NUT | ASTM A194 GR.2H |
| 16 | GREASW NIPPLE | CARBON STEEL |
| 17 | YOKE SLEEVE | ASTM A439 D-2 |
| 18 | RETAINING NUT | CARBON STEEL |
| 19 | HANDWHEEL | MALLEABLE IRON |
| 20 | HANDWHEEL NUT | CARBON STEEL |

DIMENSIONS

unit: inch

| SIZE | PORT | L | E | H | G | J | I | T | F | M | ØN |
|--------|--------|--------|--------|--------|--------|--------|--------|-------|-------|----|-------|
| 2" | 1.969 | 7.008 | 7.874 | 15.276 | 6.000 | 4.750 | 3.620 | 0.750 | 0.060 | 4 | 0.750 |
| 2-1/2" | 2.559 | 7.480 | 7.874 | 17.480 | 7.000 | 5.500 | 4.120 | 0.880 | 0.060 | 4 | 0.750 |
| 3" | 3.150 | 7.992 | 9.843 | 19.567 | 7.500 | 6.000 | 5.000 | 0.940 | 0.060 | 4 | 0.750 |
| 4" | 3.937 | 9.016 | 9.843 | 23.031 | 9.000 | 7.500 | 6.190 | 0.940 | 0.060 | 8 | 0.750 |
| 6" | 5.906 | 10.512 | 11.811 | 30.118 | 11.000 | 9.500 | 8.500 | 1.000 | 0.060 | 8 | 0.880 |
| 8" | 7.874 | 11.496 | 13.780 | 37.953 | 13.500 | 11.750 | 10.620 | 1.120 | 0.060 | 8 | 0.880 |
| 10" | 9.843 | 12.992 | 15.748 | 45.472 | 16.000 | 14.250 | 12.750 | 1.190 | 0.060 | 12 | 1.000 |
| 12" | 11.811 | 14.016 | 17.717 | 53.622 | 19.000 | 17.000 | 15.000 | 1.250 | 0.060 | 12 | 1.000 |



| | APPROVED BY. | CHECK BY. | DRAWN BY. | DRAWINGNO. | MATERIAL | UNIT | DESCRIPTION |
|------|--------------|-----------|-----------|------------------|----------|------|--|
| SIGN | | | | #551-D1 | | INCH | 2"~12" CARBON STEEL FLANGED GATE VALVES ANSI CLASS 150 |
| DATE | | | | 02 10/29/2004 | SCALE | FREE | |