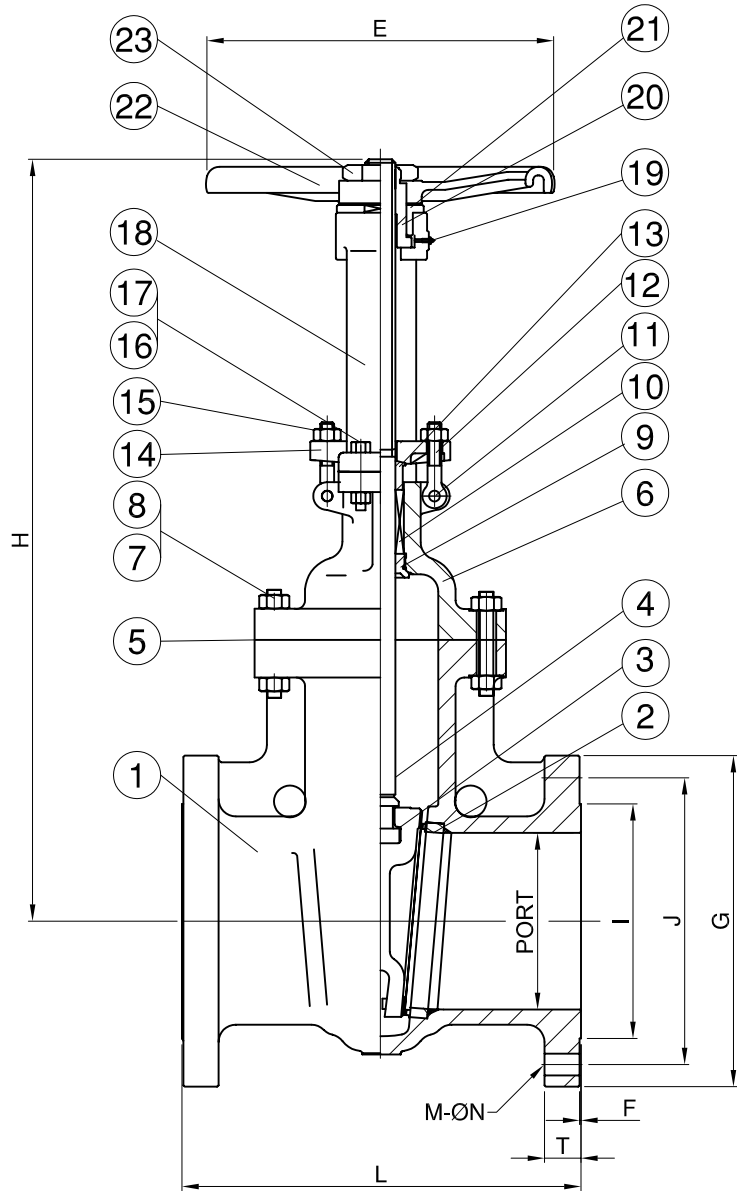


Fig No:

#551



MATERIAL LIST

ITEM	PART NAME	MATERIAL
1	Body	ASTM A216 GR.WCB
2	Seat Ring	ASTM A105+ HF Faced
3	Disc	ASTM A216 GR.WCB+13%Cr Faced
4	Stem	ASTM A182 F6
5	Gasket	Soft Iron+Graphite
6	Bonnet	ASTM A216 GR.WCB
7	Stud Bolt Nuts	ASTM A194 GR.2H
8	Bonnet Stud Bolts	ASTM A193 GR.B7
9	Bonnet Bushing	ASTM A276 Type 410
10	Packing	Braided Graphite & Die formed Graphite Ring
11	Eye Bolt Pins	ASTM A105
12	Gland Eye Bolts	ASTM A307 B
13	Gland	ASTM A276 Type 410
14	Gland Flange	ASTM A216 GR.WCB
15	Eye Bolt Nuts	ASTM A194 GR.2H
16	Yoke Pad Bolt	ASTM A193 GR.B7
17	Yoke Pad Bolt Nut	ASTM A194 GR.2H
18	Yoke	ASTM A216 GR.WCB
19	Grease Nipple	Carbon Steel
20	Yoke Sleeve	ASTM A439 GR.D-2
21	Retaining Nut	Carbon Steel
22	Handwheel	Malleable Iron
23	Handwheel Nut	Carbon Steel

DIMENSIONS

unit: inch

SIZE	PORT	L	E	H	G	J	I	T	F	M	ØN
14"	13.780	15.000	19.685	60.748	21.000	18.750	16.250	1.380	0.060	12	1.120
16"	15.748	15.984	25.197	68.425	23.500	21.250	18.500	1.440	0.060	16	1.120
18"	17.717	17.008	25.197	77.126	25.000	22.750	21.000	1.560	0.060	16	1.250
20"	19.685	17.992	26.772	87.165	27.500	25.000	23.000	1.690	0.060	20	1.250
24"	23.622	20.000	29.921	102.323	32.000	29.500	27.250	1.880	0.060	20	1.380



	APPROVED BY.	CHECK BY.	DRAWN BY.	DRAWINGNO.	MATERIAL	UNIT	DESCRIPTION
SIGN				#551-D2		INCH	14"~24" CARBON STEEL FLANGED GATE VALVES ANSI CLASS 150
DATE				02	SCALE	FREE	
				10/29/2004			