

MATERIALS LIST

Ref. No.	Description	Material	Qty
1	Body	B124-C37700	1
2	Ball (NC Plated)	B16-C36000	1
3	End Cap	B124-C37700	1
4	Seat	PTFE	2
6	Stem	B16-C36000	1
7	Stem Packing	PTFE	1
8	Handle	A283-D	1
9	Handle Cover	Plastic	1
11	Gland Nut	B16-C36000	1
13	Handle Nut	AISI-1010	1
30	Cap Nut	B124-C37700	1
31	Cap Nut Packing	NBR	1
32	Ring	A227	2
33	Chain	A283-D	1
34	Plate	A283-D	2

DIMENSIONS

Figure	Size	ØD	E	H	L2	L	L1
426	1/2	0.50	3.31	1.55	0.47	2.48	-
	3/4	0.79	4.65	1.97	0.47	2.80	-
427	1/2	0.50	3.31	1.55	0.47	2.36	0.5
	3/4	0.79	4.65	1.97	0.47	2.99	0.75
428	1/2	0.50	3.31	1.55	0.47	2.56	-
	3/4	0.79	4.65	1.97	0.47	3.07	-

UNIT: INCH

Fig No: FNW426, 427, 428

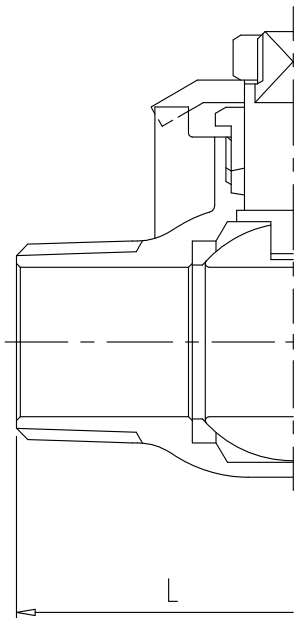


Figure 426

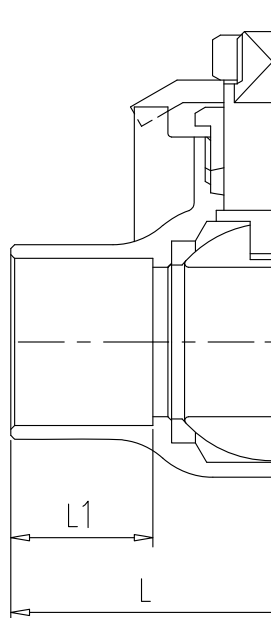


Figure 427

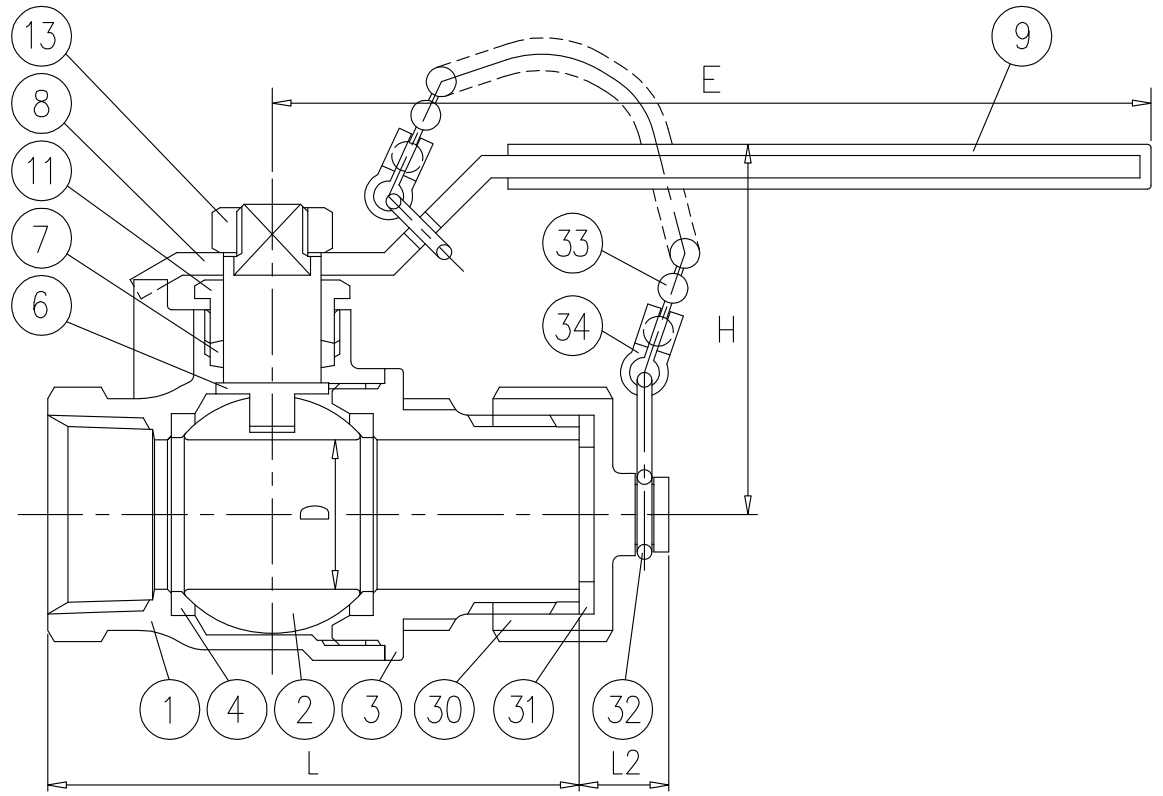


Figure 426

CODE	W-002	APPROVED BY.	CHECK BY.	DRAWN BY.	DRAWING NO.	MATERIAL	UNIT	DESCRIPTION
<b>FNW™</b>	SIGN			PEA	FNW426_427_428.dwg		INCH	BRASS BODY FULL BORE BALL VALVES, HOSE CONNECTION, 600 W.O.G.
	DATE			01/08/2010	REVISION 03	SCALE	FREE	