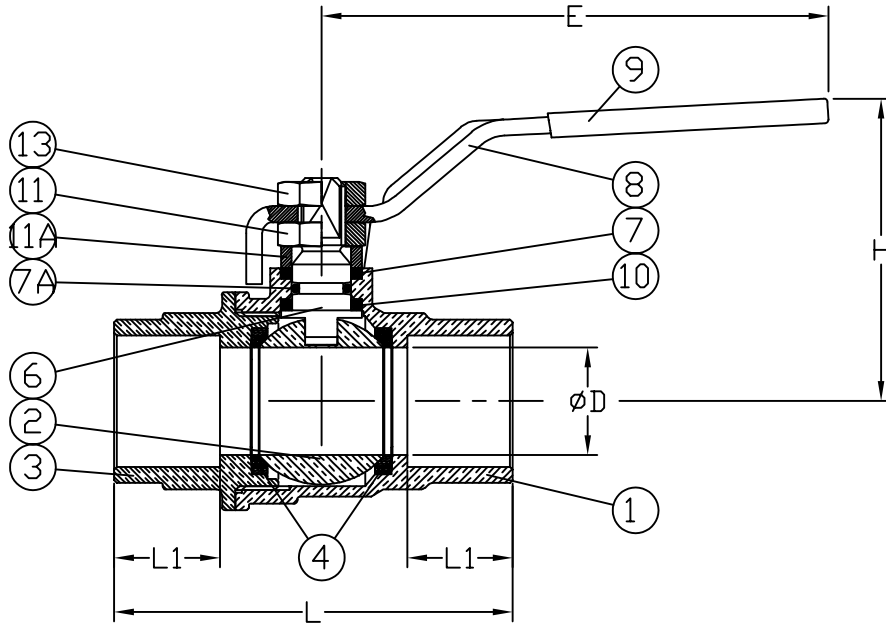
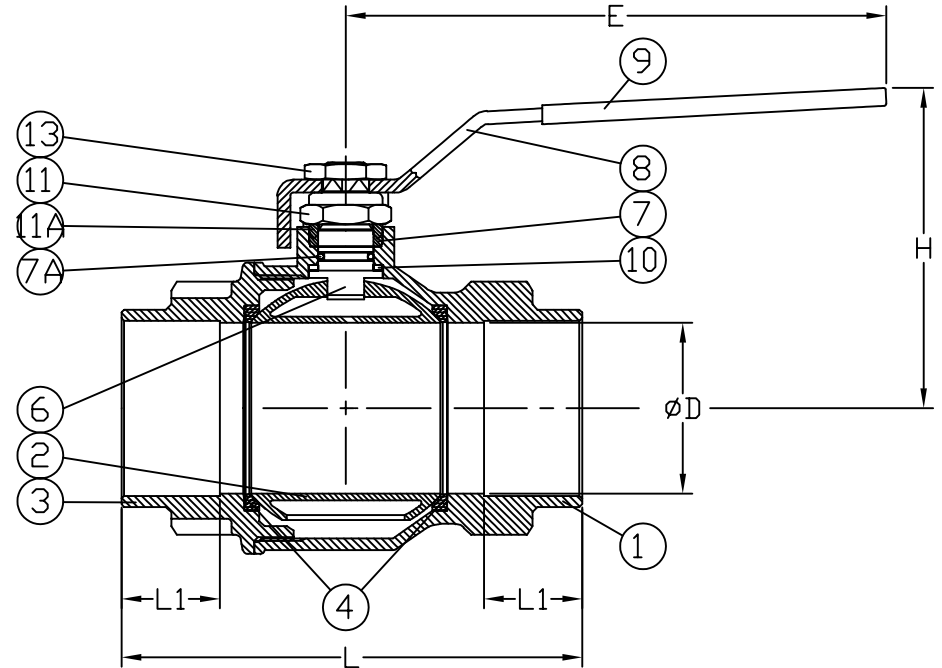


SIZES 1/2 TO 2 INCH



SIZES 2-1/2 TO 4 INCH



Ref. No.	Description	Material	Qty
1	Body	Brass CW 617N UNI EN 12165	1
2	Ball	Brass CW 617N UNI EN 12165	1
		(Nickel-Chrome Plated)	
3	End Cap	Brass CW 617N UNI EN 12165	1
4	Seat	PTFE	2
6	Stem	Brass CW 614N UNI EN 12164	1
7	Stem Packing	PTFE	1 Set
7A	Stem O-ring	NBR 75 Shore A	1
8	Handle	Fe DD11 UNI EN 10111	1
9	Handle Cover	Vinyl	1
10	Thrust Washer	PTFE	1
11	Gland Nut	Zinc Plated Steel 6S	1
11A	Packing Gland	Brass CW 614N UNI EN 12164	1
13	Handle Nut	Zinc Plated Steel 6S	1

Size	ØD	E	L	L1	H
1/2	0.57	3.78	2.58	0.50	1.81
3/4	0.76	4.76	3.00	0.75	2.28
1	0.98	4.76	3.56	0.91	2.44
1-1/4	1.26	5.94	4.09	0.97	3.00
1-1/2	1.57	5.94	4.56	1.10	3.23
2	1.95	6.30	5.45	1.34	3.74
2-1/2	2.56	8.11	6.90	1.48	4.84
3	3.05	8.11	8.05	1.67	5.23
4	3.94	10.27	10.25	2.17	6.49

FNWTM

4120 NE Columbia Blvd
Portland, OR 97211
Phone (503) 287-8383
Fax (503) 281-9677

TITLE/DESCRIPTION: Fig 421, 2PC BRASS BALL VALVE, SWEAT ENDS, FULL PORT

DATE: 8-2-05 BY: PEA UNITS: INCHES
SCALE: NONE APP'D: KMC PAGE(S): 1

MODEL: 421
DWG NO: FNW421

NOTES: rev 1 - add L1 dim, rev 2 - corrected size ranges

FILE: 421_050-4.dwg WT: LOC: PORTLAND
PAGE SIZE: 8.5 x 11L REV: 2 R'DATE: 6-4-2008

THIS DRAWING CONTAINS CONFIDENTIAL AND PROPRIETARY INFORMATION OF FNW VALVE AND IS SUBMITTED TO YOU FOR THE LIMITED PURPOSE OF PROVIDING YOU INFORMATION ON PRODUCTS AND SYSTEMS PURCHASED FROM FNW VALVE. BY RECEIVING THIS DOCUMENT, YOU AGREE NOT TO DISCLOSE SUCH INFORMATION TO OTHERS EXCEPT BY WRITTEN PERMISSION OF FNW VALVE.