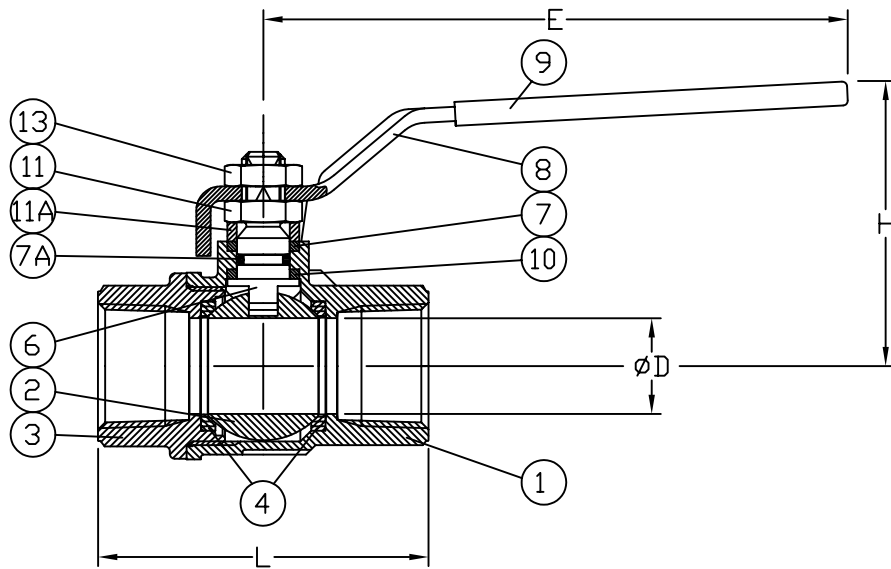
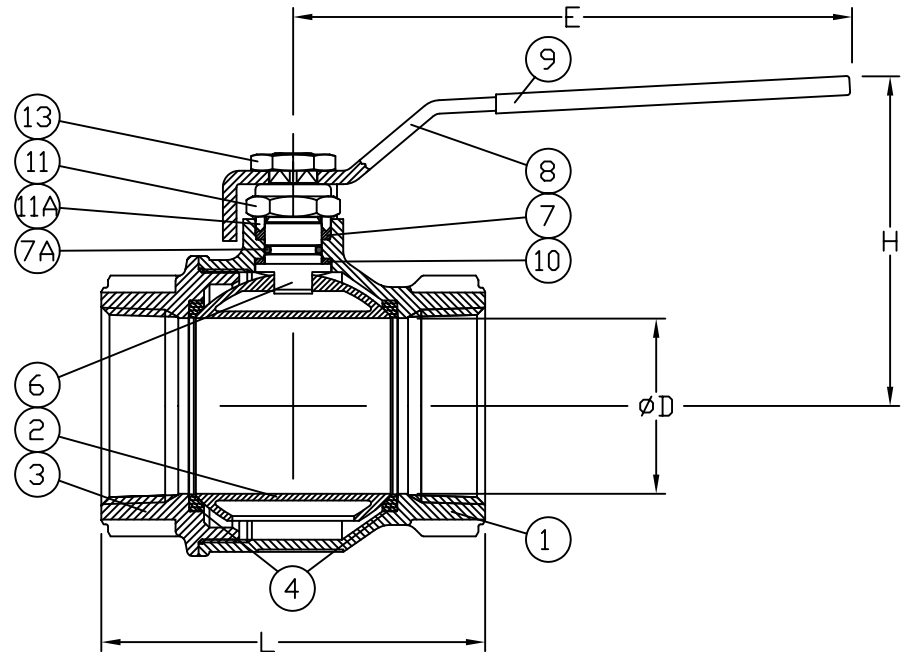


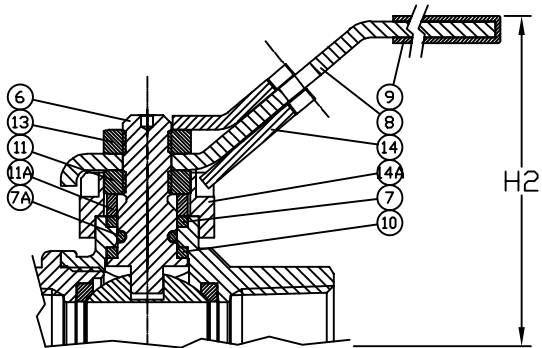
SIZES 1/4 TO 2 INCH



SIZES 2-1/2 TO 4 INCH



SIZES 1/4 TO 2 INCH W/ LOCKING LEVER



Size	ØD	E	L	H	H2
1/4	0.39	3.78	2.02	1.65	1.83
3/8	0.39	3.78	2.02	1.65	1.83
1/2	0.59	3.78	2.44	1.81	1.99
3/4	0.78	4.76	2.71	2.28	2.48
1	0.98	4.76	3.07	2.44	2.64
1-1/4	1.25	5.94	3.42	3.00	3.15
1-1/2	1.57	5.94	3.89	3.23	3.38
2	1.94	6.30	4.33	3.74	3.74
2-1/2	2.56	8.11	5.59	4.84	-
3	3.15	8.11	6.45	5.23	-
4	3.94	10.27	7.60	6.49	-

Ref. No.	Description	Material	Qty
1	Body	Brass CW 617N UNI EN 12165	1
2	Ball	Brass CW 617N UNI EN 12165	1
		(Nickel-Chrome Plated)	
3	End Cap	Brass CW 617N UNI EN 12165	1
4	Seat	PTFE	2
6	Stem	Brass CW 614N UNI EN 12164	1
7	Stem Packing	PTFE	1 Set
7A	Stem O-ring	NBR 75 Shore A	1
8	Handle	Fe P 11 UNI 5867	1
9	Handle Cover	Vinyl	1
10	Thrust Washer	PTFE	1
11	Gland Nut	Zinc Plated Steel 6S	1
11A	Packing Gland	Brass CW 614N UNI EN 12164	1
13	Handle Nut	Zinc Plated Steel 6S	1

**FNW™**

4120 NE Columbia Blvd  
Portland, OR 97211  
Phone (503) 287-8383  
Fax (503) 281-9677

TITLE/DESCRIPTION: Fig 420 (420LL), 2PC BRASS BALL VALVE, NPT ENDS, FULL PORT (LOCKING LEVER OPTION)

DATE: 11-2-2005 BY: PEA UNITS: INCHES  
SCALE: NONE APP'D: PAGE(S): 1

MODEL: 420LL  
DWG NO: FNW420LL

NOTES:

FILE: 420LL\_025-4.dwg WT: LOC: PORTLAND  
PAGE SIZE: 8.5 x 11L REV: 0 R'DATE:

THIS DRAWING CONTAINS CONFIDENTIAL AND PROPRIETARY INFORMATION OF FNW VALVE AND IS SUBMITTED TO YOU FOR THE LIMITED PURPOSE OF PROVIDING YOU INFORMATION ON PRODUCTS AND SYSTEMS PURCHASED FROM FNW VALVE. BY RECEIVING THIS DOCUMENT, YOU AGREE NOT TO DISCLOSE SUCH INFORMATION TO OTHERS EXCEPT BY WRITTEN PERMISSION OF FNW VALVE.