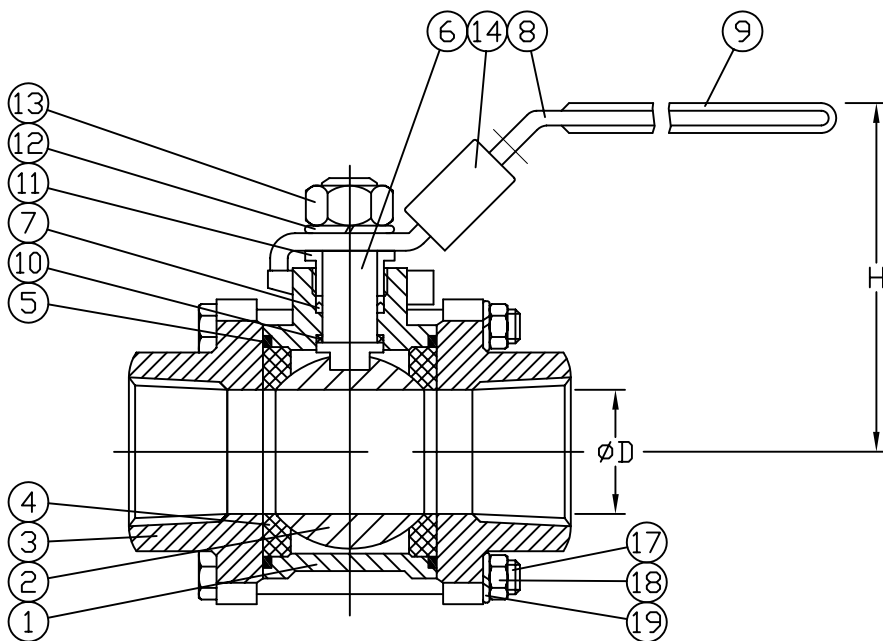
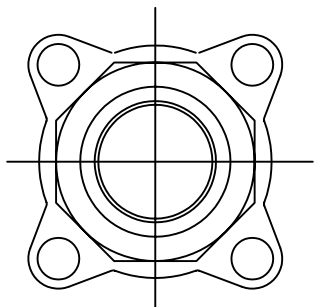


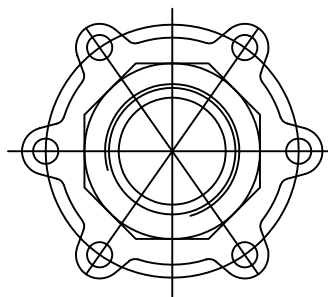
Size	ØD	E	L	L2	H
1/4	0.39	3.82	2.36	0.57	1.97
3/8	0.47	3.82	2.36	0.57	1.97
1/2	0.63	4.96	2.95	0.63	2.36
3/4	0.79	4.96	3.15	0.67	2.48
1	0.98	5.71	3.54	0.75	3.15
1-1/4	1.26	5.71	4.33	0.90	3.39
1-1/2	1.57	8.03	4.72	0.94	3.70
2	1.97	8.03	5.51	1.02	4.09
2-1/2	2.56	9.76	7.28	1.34	5.51
3	3.15	9.76	8.07	1.42	5.98
4	3.94	11.50	9.44	1.50	7.09



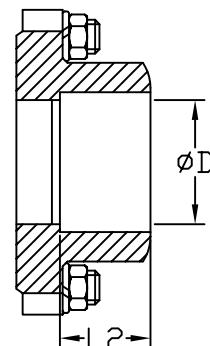
Ref. No.	Description	Material	Qty
1	Body	ASTM A351 Gr. CF8M	1
2	Ball	316SS	1
3	NPT End Caps	ASTM A351 Gr. CF8M	2
	SW End Caps	ASTM A351 Gr. CF3M	
4	Seat	RTFE	2
5	Body Seal	PTFE	2
6	Stem	316SS	1
7	Stem Packing	PTFE	1 Set
8	Handle	304SS	1
9	Handle Cover	Vinyl	1
10	Thrust Washer	PTFE	1
11	Gland Nut	304SS	1
12	Handle Washer	304SS	1
13	Handle Nut	304SS	1
14	Locking Pad	304SS	1
17	Body Bolt	304SS	4-6
18	Body Nut	304SS	4-6
19	Body Washer	304SS	4-6



1/4" ~ 2-1/2"



3" ~ 4"



SW ENDS

**FNW**<sup>TM</sup>

4120 NE Columbia Blvd  
Portland, OR 97211  
Phone (503) 287-8383  
Fax (503) 281-9677

TITLE/DESCRIPTION: Fig 310, 3PC, FULL PORT 1000 WOG, STAINLESS STEEL X STAINLESS, BALL VALVE, NPT OR SW ENDS

DATE: 8-2-05	BY: PEA	UNITS: INCHES
SCALE: NONE	APP'D: KMC	PAGE(S): 1

MODEL: 310

DWG NO: FNW310

NOTES: rev 1 - add SW dimensions

FILE: 310_025-4.dwg	LOC: PORTLAND
PAGE SIZE: 8.5 x 11L	REV: 1
	R'DATE: 5-30-2007

THIS DRAWING CONTAINS CONFIDENTIAL AND PROPRIETARY INFORMATION OF FNW VALVE AND IS SUBMITTED TO YOU FOR THE LIMITED PURPOSE OF PROVIDING YOU INFORMATION ON PRODUCTS AND SYSTEMS PURCHASED FROM FNW VALVE. BY RECEIVING THIS DOCUMENT, YOU AGREE NOT TO DISCLOSE SUCH INFORMATION TO OTHERS EXCEPT BY WRITTEN PERMISSION OF FNW VALVE.