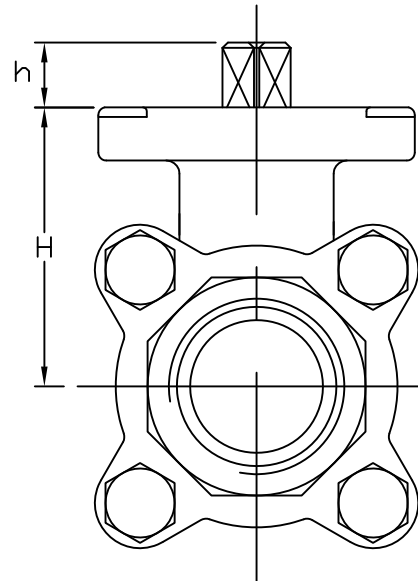
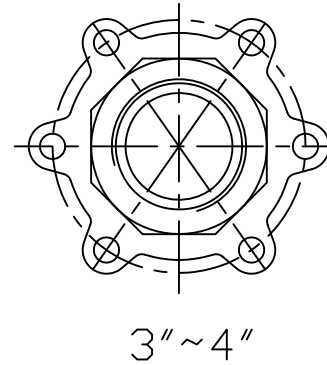
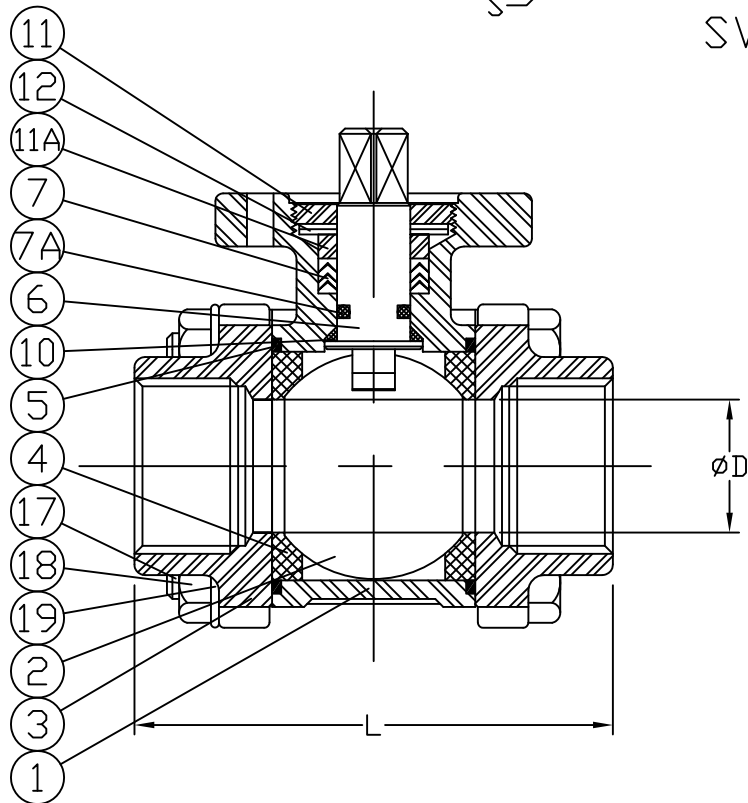


Size	$\phi D$	L	L2	H	h	S	ISO 5211			
							1	$\phi d1$	2	$\phi d1$
1/4	0.39	2.36	0.57	1.58	0.276	0.354	1.42/F03	0.24	1.65/F04	0.24
3/8	0.47	2.36	0.57	1.58	0.276	0.354	1.42/F03	0.24	1.65/F04	0.24
1/2	0.63	2.95	0.63	1.58	0.276	0.354	1.42/F03	0.24	1.65/F04	0.24
3/4	0.79	3.15	0.67	1.73	0.354	0.354	1.42/F03	0.24	1.65/F04	0.24
1	0.98	3.54	0.75	2.05	0.472	0.433	1.65/F04	0.24	1.97/F05	0.28
1-1/4	1.26	4.33	0.90	2.28	0.472	0.433	1.65/F04	0.24	1.97/F05	0.28
1-1/2	1.57	4.72	0.94	2.68	0.630	0.551	1.97/F05	0.28	2.76/F07	0.35
2	1.97	5.51	1.02	3.03	0.630	0.551	1.97/F05	0.28	2.76/F07	0.35
2-1/2	2.56	7.28	1.34	3.86	0.748	0.669	2.76/F07	0.35	4.02F10	0.43
3	3.15	8.07	1.42	4.33	0.748	0.669	2.76/F07	0.35	4.02F10	0.43
4	3.94	9.44	1.5	5.43	0.945	0.866	-	-	4.02F10	0.43



Ref. No.	Description	Material	Qty
1	Body	ASTM A351 Gr. CF8M	1
2	Ball	ASTM A351 Gr. CF8M	1
3	NPT End Cap	ASTM A351 Gr. CF8M	2
	SW End Cap	ASTM A352 Gr. CF3M	
4	Seat	RTFE	2
5	Body Seal	PTFE	2
6	Stem	316SS	1
7	Stem Packing	PTFE	1 Set
7A	Stem O-ring	Viton®	1
10	Thrust Washer	PTFE	1
11	Gland Nut	304SS	1
11A	Gland Ring	304SS	1
12	Belleville Washer	410SS	1
17	Body Bolt	304SS	4-6
18	Body Nut	304SS	4-6
19	Body Washer	304SS	4-6

**FNW™**

4120 NE Columbia Blvd  
Portland, OR 97211  
Phone (503) 287-8383  
Fax (503) 281-9677

TITLE/DESCRIPTION: Fig 310M, 3PC, ISO MOUNT, 1000 WOG, STAINLESS STEEL x STAINLESS STEEL, FULL PORT, NPT OR SW ENDS

DATE: 8-3-2005 BY: PEA UNITS: INCHES  
SCALE: NONE APP'D: KMC PAGE(S): 1

MODEL: 310M  
DWG NO: FNW310M

NOTES: rev 1 - add SW dimensions, rev 2 - show body bolt count, rev 3 - revised 4" mtg pad dim

FILE: 310\_025-4.dwg LOC: PORTLAND  
PAGE SIZE: 8.5 x 11L REV: 3 R'DATE: 1-13-2010

THIS DRAWING CONTAINS CONFIDENTIAL AND PROPRIETARY INFORMATION OF FNW VALVE AND IS SUBMITTED TO YOU FOR THE LIMITED PURPOSE OF PROVIDING YOU INFORMATION ON PRODUCTS AND SYSTEMS PURCHASED FROM FNW VALVE. BY RECEIVING THIS DOCUMENT, YOU AGREE NOT TO DISCLOSE SUCH INFORMATION TO OTHERS EXCEPT BY WRITTEN PERMISSION OF FNW VALVE.