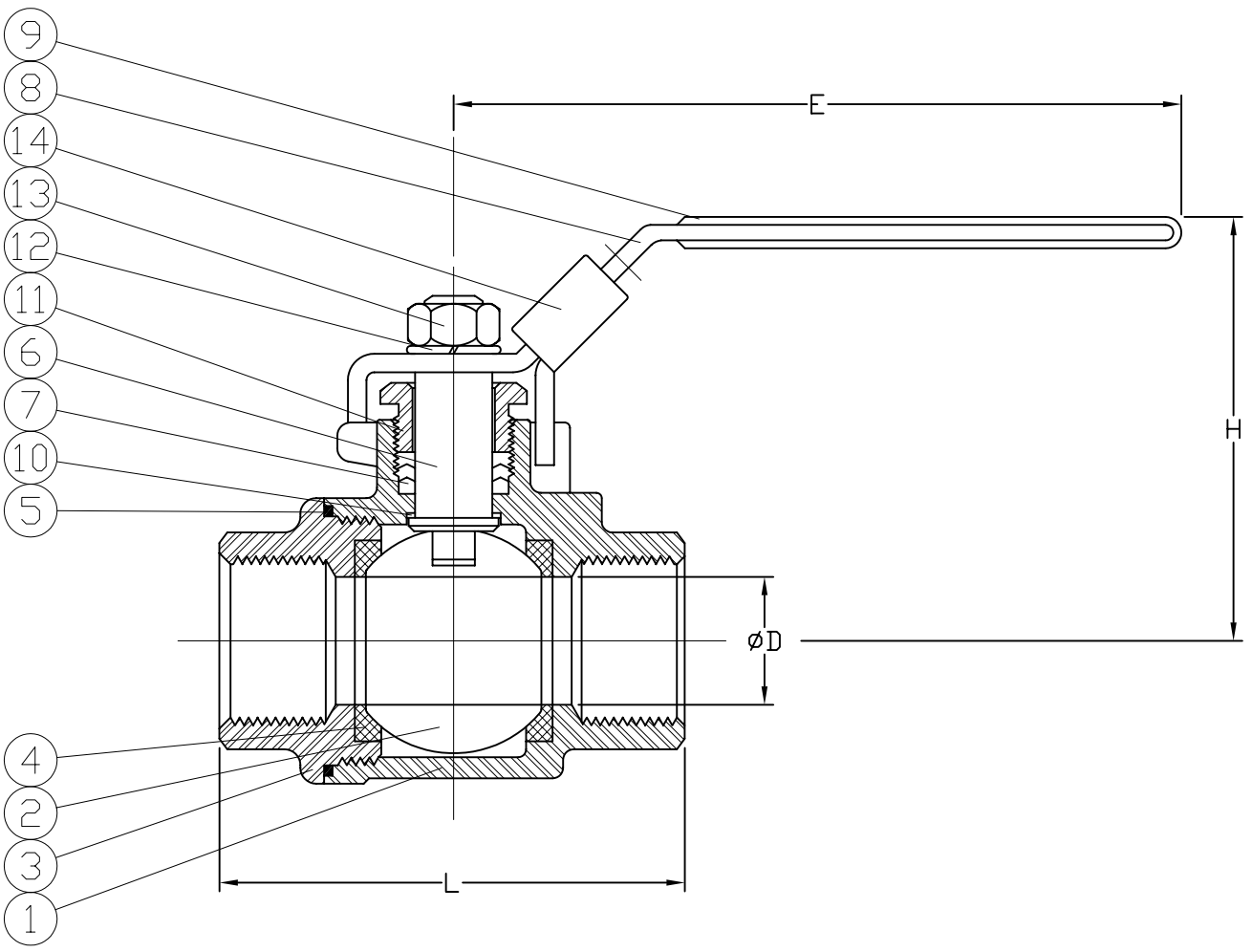


Size	ØD	E	L	H	S	M1	M2	M
1/4	0.39	3.74	2.17	2.52	0.196	0.50	1.12	10-24UNC
3/8	0.47	3.74	2.17	2.52	0.196	0.50	1.12	10-24UNC
1/2	0.62	4.92	2.55	2.52	0.255	0.50	1.12	10-24UNC
3/4	0.78	4.92	3.03	2.64	0.255	0.88	1.38	10-24UNC
1	0.98	5.51	3.46	3.27	0.314	0.88	1.38	10-24UNC
1-1/4	1.25	5.51	4.01	3.50	0.314	1.00	1.50	1/4"-20UNC
1-1/2	1.57	7.87	4.33	3.93	0.393	1.00	1.50	1/4"-20UNC
2	1.96	7.87	4.92	4.25	0.393	1.00	1.50	1/4"-20UNC
2-1/2	2.55	9.84	6.45	5.91	0.472	1.18	2.76	1/4"-20UNC
3	3.14	9.84	7.12	6.34	0.472	1.18	2.76	1/4"-20UNC

Ref. No.	Description	Material		Qty
		Fig 221	Fig 221C	
1	Body	ASTM A216 Gr. WCB	ASTM A216 Gr. WCB	1
2	Ball	316SS	316SS	1
3	End Cap	ASTM A216 Gr. WCB	ASTM A216 Gr. WCB	1
4	Seat	RTFE	Carbon Filled TFE	2
5	Body Seal	PTFE	Carbon Filled TFE	1
6	Stem	316SS	316SS	1
7	Stem Packing	PTFE	Carbon Filled TFE	1 Set
8	Handle	304SS	304SS	1
9	Handle Cover	Vinyl	Vinyl	1
10	Thrust Washer	PTFE	Carbon Filled TFE	1
11	Gland Nut	304SS	304SS	1
12	Handle Washer	304SS	304SS	1
13	Handle Nut	304SS	304SS	1
14	Locking Pad	304SS	304SS	1



FNW™

4120 NE Columbia Blvd  
 Portland, OR 97211  
 Phone (503) 287-8383  
 Fax (503) 281-9677

---

TITLE/DESCRIPTION: Fig 221 & 221C, FULL PORT 2000 WOG, CARBON STEEL X STAINLESS, BALL VALVE, NPT END

---

DATE: 8-2-05	BY:	UNITS: INCHES
SCALE: NONE	APP'D:	PAGE(S): 1
MODEL: 221/221C		
DWG NO: FNW221/221C		
NOTES:		

---

FILE: 221_025-3.dwg	WT:	LOC: PORTLAND
PAGE SIZE: 8.5 x 11L	REV: 0	R'DATE:

THIS DRAWING CONTAINS CONFIDENTIAL AND PROPRIETARY INFORMATION OF FNW VALVE AND IS SUBMITTED TO YOU FOR THE LIMITED PURPOSE OF PROVIDING YOU INFORMATION ON PRODUCTS AND SYSTEMS PURCHASED FROM FNW VALVE. BY RECEIVING THIS DOCUMENT, YOU AGREE NOT TO DISCLOSE SUCH INFORMATION TO OTHERS EXCEPT BY WRITTEN PERMISSION OF FNW VALVE.