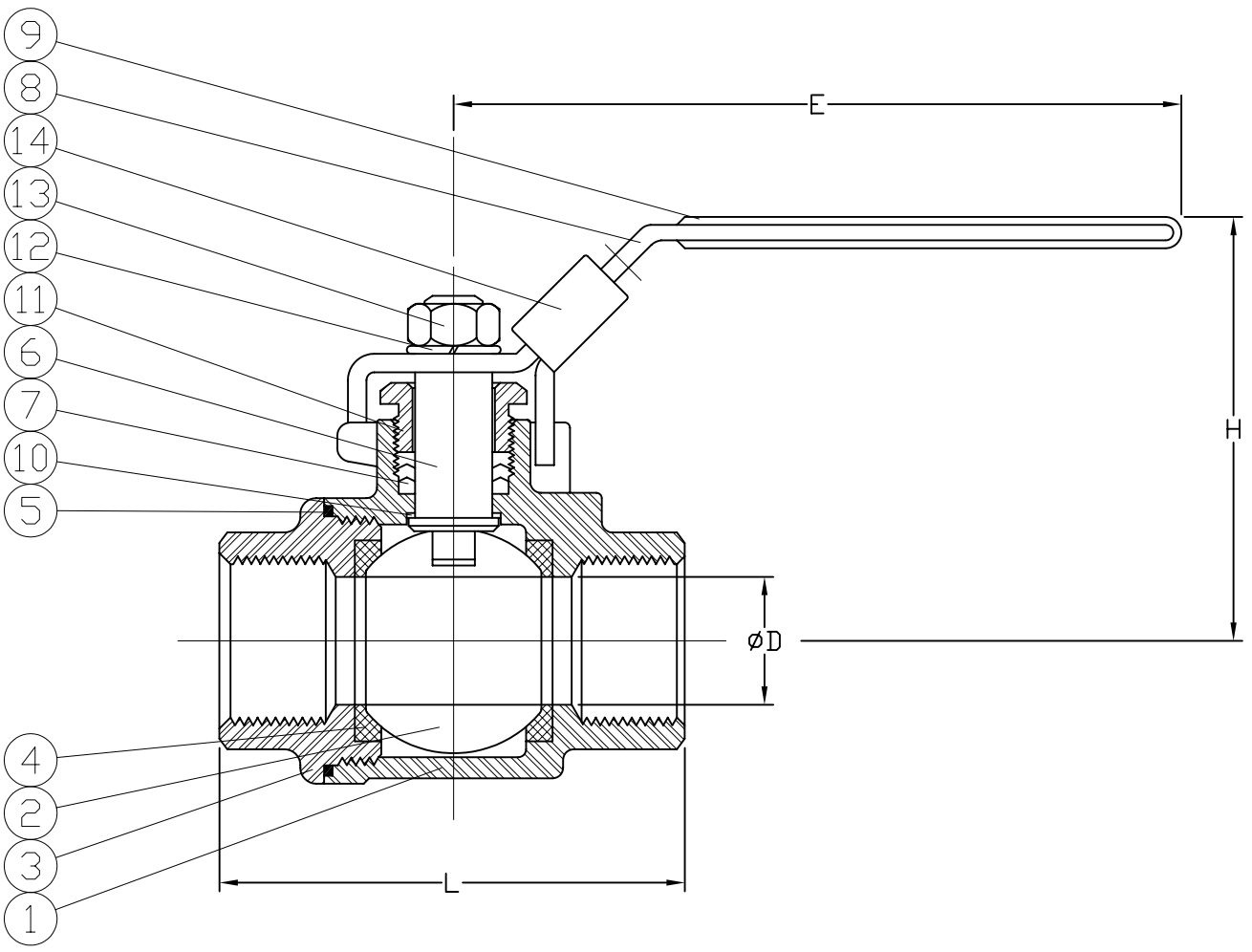


Size	ØD	E	L	H	S	M1	M2	M
1/4	0.39	3.74	2.17	2.52	0.196	0.50	1.12	10-24UNC
3/8	0.47	3.74	2.17	2.52	0.196	0.50	1.12	10-24UNC
1/2	0.62	4.92	2.55	2.52	0.255	0.50	1.12	10-24UNC
3/4	0.78	4.92	3.03	2.64	0.255	0.88	1.38	10-24UNC
1	0.98	5.51	3.46	3.27	0.314	0.88	1.38	10-24UNC
1-1/4	1.25	5.51	4.01	3.50	0.314	1.00	1.50	1/4"-20UNC
1-1/2	1.57	7.87	4.33	3.93	0.393	1.00	1.50	1/4"-20UNC
2	1.96	7.87	4.92	4.25	0.393	1.00	1.50	1/4"-20UNC
2-1/2	2.55	9.84	6.45	5.91	0.472	1.18	2.76	1/4"-20UNC
3	3.14	9.84	7.12	6.34	0.472	1.18	2.76	1/4"-20UNC



Ref. No.	Description	Material		Qty
		Fig 220	Fig 220C	
1	Body	ASTM A351 Gr. CF8M		1
2	Ball	316SS		1
3	End Cap	ASTM A351 Gr. CF8M		1
4	Seat	RTFE	Carbon Filled TFE	2
5	Body Seal	PTFE	Carbon Filled TFE	1
6	Stem	316SS		1
7	Stem Packing	PTFE	Carbon Filled TFE	1 Set
8	Handle	304SS		1
9	Handle Cover	Vinyl		1
10	Thrust Washer	PTFE	Carbon Filled TFE	1
11	Gland Nut	304SS		1
12	Handle Washer	304SS		1
13	Handle Nut	304SS		1
14	Locking Pad	304SS		1

<b>FNW™</b>	4120 NE Columbia Blvd Portland, OR 97211 Phone (503) 287-8383 Fax (503) 281-9677	
	TITLE/DESCRIPTION: Fig 220 & 220C, FULL PORT 2000 WOG, STAINLESS STEEL X STAINLESS, BALL VALVE, NPT END	
DATE: 8-2-05	BY:	UNITS: INCHES
SCALE: NONE	APP'D:	PAGE(S): 1
MODEL: 220/220C		
DWG NO: FNW220/220C		
NOTES:		
FILE: 220_025-3.dwg	WT:	LOC: PORTLAND
PAGE SIZE: 8.5 x 11L	REV: 0	R'DATE:
THIS DRAWING CONTAINS CONFIDENTIAL AND PROPRIETARY INFORMATION OF FNW VALVE AND IS SUBMITTED TO YOU FOR THE LIMITED PURPOSE OF PROVIDING YOU INFORMATION ON PRODUCTS AND SYSTEMS PURCHASED FROM FNW VALVE. BY RECEIVING THIS DOCUMENT, YOU AGREE NOT TO DISCLOSE SUCH INFORMATION TO OTHERS EXCEPT BY WRITTEN PERMISSION OF FNW VALVE.		