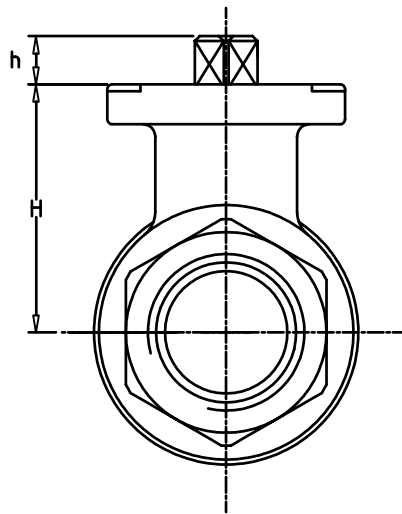
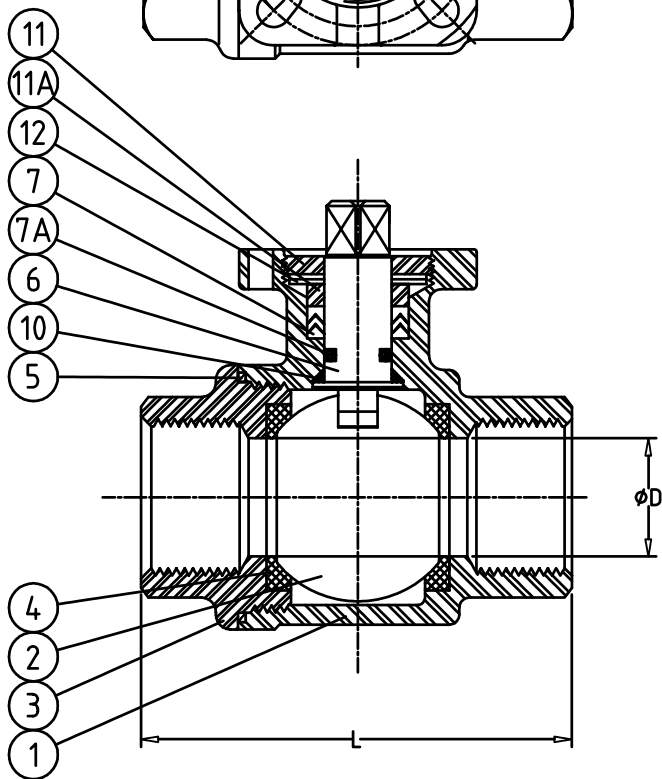
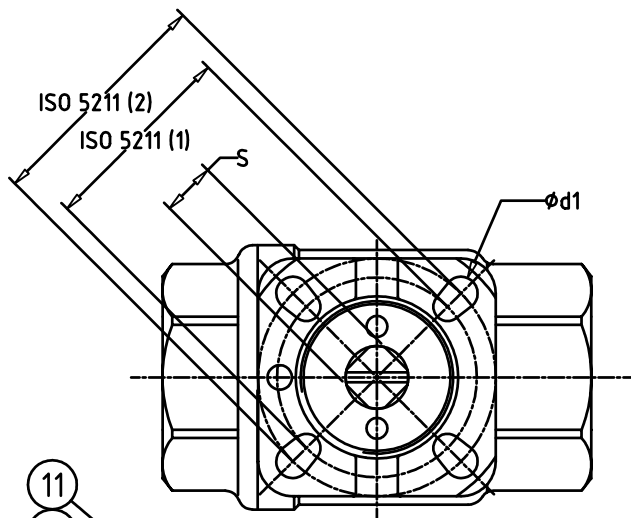


Size	ØD	L	H	h	S	ISO 5211			
						1	Ød1	2	Ød1
1/4	0.39	2.95	1.58	0.276	0.354	1.42/F03	0.24	1.65/F04	0.24
3/8	0.47	2.95	1.58	0.276	0.354	1.42/F03	0.24	1.65/F04	0.24
1/2	0.63	2.95	1.58	0.276	0.354	1.42/F03	0.24	1.65/F04	0.24
3/4	0.79	3.15	1.73	0.354	0.354	1.42/F03	0.24	1.65/F04	0.24
1	0.98	3.54	2.05	0.472	0.433	1.65/F04	0.24	1.97/F05	0.28
1-1/4	1.26	4.33	2.28	0.472	0.433	1.65/F04	0.24	1.97/F05	0.28
1-1/2	1.58	4.72	2.68	0.630	0.551	1.97/F05	0.28	2.76/F07	0.35
2	1.97	5.51	3.03	0.630	0.551	1.97/F05	0.28	2.76/F07	0.35
2-1/2	2.56	7.28	3.86	0.748	0.669	2.76/F07	0.35	4.02F10	0.43
3	3.15	8.07	4.33	0.748	0.669	2.76/F07	0.35	4.02F10	0.43



Ref. No.	Description	Material	Qty
1	Body	ASTM A351 Gr. CF8M	1
2	Ball	ASTM A351 Gr. CF8M	1
3	End Cap	ASTM A351 Gr. CF8M	1
4	Seat	RTFE (PTFE+15%G.F.)	2
5	Body Seal	PTFE	1
6	Stem	316SS	1
7	Stem Packing	PTFE	1 Set
7A	Stem O-ring	Viton®	1
10	Thrust Washer	PTFE	1
11	Gland Nut	304SS	1
11A	Gland Ring	304SS	1
12	Belleville Washer	410SS	1

FNW™

4120 NE Columbia Blvd
Portland, OR 97211
Phone (503) 287-8383
Fax (503) 281-9677

TITLE/DESCRIPTION: Fig 220M, ISO MOUNT, 2000 WOG, STAINLESS STEEL x STAINLESS STEEL, FULL PORT, NPT ENDS

DATE: 8-3-2005 BY: UNITS: INCHES

SCALE: NONE APP'D: PAGE(S): 1

MODEL: 220M

DWG NO: FNW220M

NOTES:

FILE: 220M_0250-3.dwg WT: LOC: PORTLAND

PAGE SIZE: 8.5 x 11L REV: 0 R'DATE:

THIS DRAWING CONTAINS CONFIDENTIAL AND PROPRIETARY INFORMATION OF FNW VALVE AND IS SUBMITTED TO YOU FOR THE LIMITED PURPOSE OF PROVIDING YOU INFORMATION ON PRODUCTS AND SYSTEMS PURCHASED FROM FNW VALVE. BY RECEIVING THIS DOCUMENT, YOU AGREE NOT TO DISCLOSE SUCH INFORMATION TO OTHERS EXCEPT BY WRITTEN PERMISSION OF FNW VALVE.