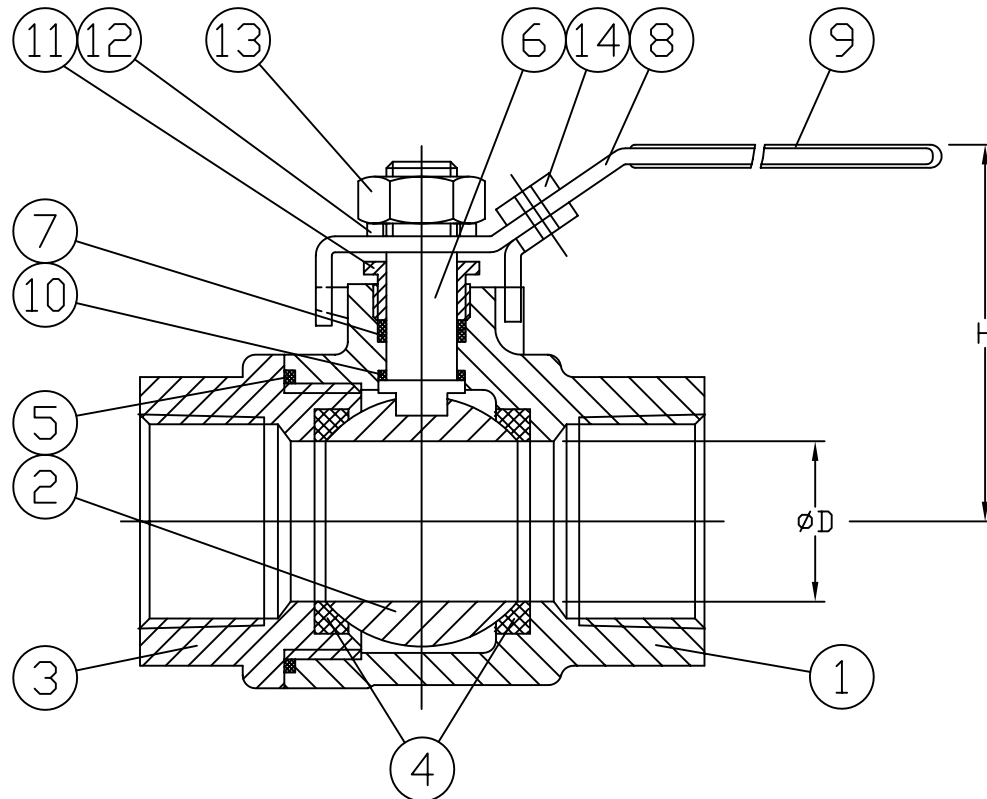


Size	ØD	E	L	H
1/4	0.46	3.94	2.17	1.97
3/8	0.50	3.94	2.17	1.97
1/2	0.59	5.12	2.56	2.36
3/4	0.79	5.12	2.91	2.52
1	0.98	6.50	3.47	2.80
1-1/4	1.26	6.50	4.02	3.07
1-1/2	1.50	7.48	4.33	3.39
2	1.97	7.48	4.92	3.74



Ref. No.	Description	Material	Qty
1	Body	ASTM A351 Gr. CF8M	1
2	Ball	316SS	1
3	End Cap	ASTM A351 Gr. CF8M	1
4	Seat	RTFE	2
5	Body Seal	PTFE	1
6	Stem	316SS	1
7	Stem Packing	PTFE	1 Set
8	Handle	304SS	1
9	Handle Cover	Vinyl	1
10	Thrust Washer	PTFE	1
11	Gland Nut	304SS	1
12	Handle Washer	304SS	1
13	Handle Nut	304SS	1
14	Locking Pad	304SS	1

FNW™

4120 NE Columbia Blvd
 Portland, OR 97211
 Phone (503) 287-8383
 Fax (503) 281-9677

TITLE/DESCRIPTION: Fig 200, 2PC, 1000 WOG, STAINLESS STEEL x STAINLESS STEEL, FULL PORT, NPT ENDS

DATE: 8-3-2005 BY: PEA UNITS: INCHES

SCALE: NONE APP'D: KMC PAGE(S): 1

MODEL: 200

DWG NO: FNW200

NOTES:

REV1 - PEA - CHANGED SEAT MATERIAL FROM PTFE TO RTFE

FILE: 200_025-2.dwg WT: LOC: PORTLAND

PAGE SIZE: 8.5 x 11L REV: 1 R'DATE: 10-21-2008

THIS DRAWING CONTAINS CONFIDENTIAL AND PROPRIETARY INFORMATION OF FNW VALVE AND IS SUBMITTED TO YOU FOR THE LIMITED PURPOSE OF PROVIDING YOU INFORMATION ON PRODUCTS AND SYSTEMS PURCHASED FROM FNW VALVE. BY RECEIVING THIS DOCUMENT, YOU AGREE NOT TO DISCLOSE SUCH INFORMATION TO OTHERS EXCEPT BY WRITTEN PERMISSION OF FNW VALVE.